



SHANDONG SAINTY ALUMINIUM LIMITED

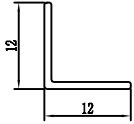
ADDRESS;No. 322 Yubei Rd, Dongcheng Industry Park,Linqu, Weifang 262600, China

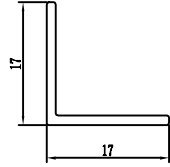
— SAINTY —

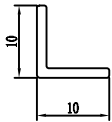
CELL+86 150 5290 5768

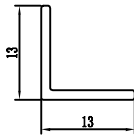
Email:info@staluminum.com

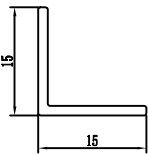
www.staluminumprofile.com

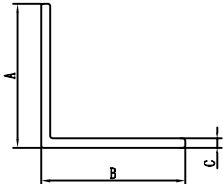
Dwg NO.	AG1212	
Thickness (mm)	1.0	
Weight (kg/m)	0.062	

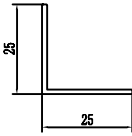
Dwg NO.	AG1717	
Thickness (mm)	1.3	
Weight (kg/m)	0.115	

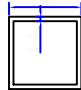
Dwg NO.	AG1010	
Thickness (mm)	1.3	
Weight (kg/m)	0.066	

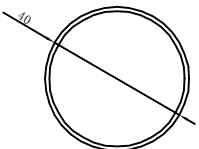
Dwg NO.	AG1313	
Thickness (mm)	1.3	
Weight (kg/m)	0.087	

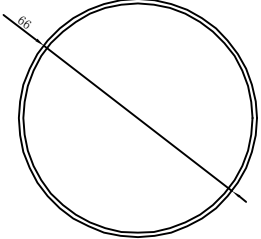
Dwg NO.	AG1515	
Thickness (mm)	1.3	
Weight (kg/m)	0.101	

Dwg NO.	AG2020	
Thickness (mm)	1.3	
Weight (kg/m)	0.137	

Dwg NO.	AG2525	
Thickness (mm)	1.3	
Weight (kg/m)	0.172	

Dwg NO.	FG2020	
Thickness (mm)	1.2	
Weight (kg/m)	0.245	

Dwg NO.	YG40	
Thickness (mm)	1.3	
Weight (kg/m)	0.487	

Dwg NO.	YG66	
Thickness (mm)	1.3	
Weight (kg/m)	0.87	



SHANDONG SAINTY ALUMINIUM LIMITED

ADDRESS; No. 322 Yubei Rd, Dongcheng Industry Park, Linqu, Weifang 262600, China

— SAINTY —

CELL+86 150 5290 5768

Email: info@staluminum.com

www.staluminumprofile.com

Dwg NO.	CMA2001	
Thickness (mm)	1.3	
Weight (kg/m)	0.525	

Dwg NO.	CMA2002	
Thickness (mm)	1.2	
Weight (kg/m)	0.445	

Dwg NO.	CMZ2009	
Thickness (mm)	1.1	
Weight (kg/m)	0.409	

Dwg NO.	CMA2005	
Thickness (mm)	1.2	
Weight (kg/m)	0.436	

Dwg NO.	CMA2010	
Thickness (mm)	1.2	
Weight (kg/m)	0.469	

Dwg NO.	CMA2011	
Thickness (mm)	1.2	
Weight (kg/m)	0.437	

Dwg NO.	EX2501	
Thickness (mm)	1.2	
Weight (kg/m)	0.235	

Dwg NO.	BX2642	
Thickness (mm)	2.8	
Weight (kg/m)	0.979	

Dwg NO.	BX2643	
Thickness (mm)	1.2	
Weight (kg/m)	0.334	

Dwg NO.	BX2644	
Thickness (mm)	1.4	
Weight (kg/m)	0.499	



SHANDONG SAINTY ALUMINIUM LIMITED

ADDRESS; No. 322 Yubei Rd, Dongcheng Industry Park, Linqu, Weifang 262600, China

— SAINTY —

CELL+86 150 5290 5768

Email: info@staluminum.com

www.staluminumprofile.com

Dwg NO.	0A06057	
Thickness (mm)	1.1	
Weight (kg/m)	0.376	

Dwg NO.	2501	
Thickness (mm)	1.4	
Weight (kg/m)	0.734	

Dwg NO.	2502	
Thickness (mm)	1.3	
Weight (kg/m)	0.7	

Dwg NO.	2504	
Thickness (mm)	1.3	
Weight (kg/m)	0.49	

Dwg NO.	2505	
Thickness (mm)	1.1	
Weight (kg/m)	0.55	

Dwg NO.	2521	
Thickness (mm)	1	
Weight (kg/m)	0.254	

Dwg NO.	2507	
Thickness (mm)	1.3	
Weight (kg/m)	0.573	

Dwg NO.	2510	
Thickness (mm)	1.3	
Weight (kg/m)	0.571	

Dwg NO.	0A06056	
Thickness (mm)	0.9	
Weight (kg/m)	0.17	

Dwg NO.	FG2525	
Thickness (mm)	1.2	
Weight (kg/m)		



SHANDONG SAINTY ALUMINIUM LIMITED

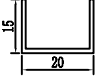
ADDRESS;No. 322 Yubei Rd, Dongcheng Industry Park,Linqu, Weifang 262600, China

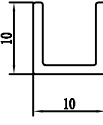
— SAINTY —

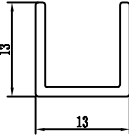
CELL+86 150 5290 5768

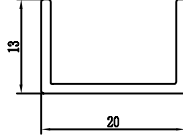
Email:info@staluminum.com

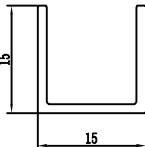
www.staluminumprofile.com

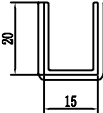
Dwg NO.	CHA2015	
Thickness (mm)	1.3	
Weight (kg/m)	0.155	

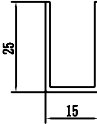
Dwg NO.	CHA1010	
Thickness (mm)	1.3	
Weight (kg/m)	0.097	

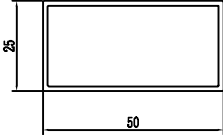
Dwg NO.	CHA1313	
Thickness (mm)	1.3	
Weight (kg/m)	0.128	

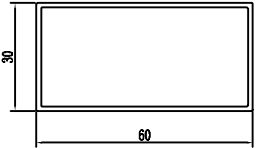
Dwg NO.	CHA2013	
Thickness (mm)	1.3	
Weight (kg/m)	0.153	


Dwg NO.	CHA1515	
Thickness (mm)	1.3	
Weight (kg/m)	0.149	

Dwg NO.	CHA1520	
Thickness (mm)	1.3	
Weight (kg/m)	0.185	

Dwg NO.	CHA1525	
Thickness (mm)	1.3	
Weight (kg/m)	0.219	

Dwg NO.	BG5025	
Thickness (mm)	1.3	
Weight (kg/m)	0.512	

Dwg NO.	BG6030	
Thickness (mm)	1.3	
Weight (kg/m)	0.618	

Dwg NO.	BG8040	
Thickness (mm)	1.5	
Weight (kg/m)	0.955	



SHANDONG SAINTY ALUMINIUM LIMITED

ADDRESS; No. 322 Yubei Rd, Dongcheng Industry Park, Linqu, Weifang 262600, China

— SAINTY —

CELL+86 150 5290 5768

Email: info@staluminum.com

www.staluminumprofile.com

Dwg NO.	CMA2005	
Thickness (mm)	1.2	
Weight (kg/m)	0.436	

Dwg NO.	CMA2012	
Thickness (mm)	1.2	
Weight (kg/m)	0.235	

Dwg NO.	CMA2009	
Thickness (mm)	1.1	
Weight (kg/m)	0.409	

Dwg NO.	CMA2010	
Thickness (mm)	1.2	
Weight (kg/m)	0.469	

Dwg NO.	CMA2011	
Thickness (mm)	1.2	
Weight (kg/m)	0.437	

Dwg NO.	CMA2001	
Thickness (mm)	1.3	
Weight (kg/m)	0.525	

Dwg NO.	CMA2002	
Thickness (mm)	1.2	
Weight (kg/m)	0.445	

Dwg NO.	T20×20×1.3	
Thickness (mm)	1.3	
Weight (kg/m)	0.14	

Dwg NO.	T25×25×1.3	
Thickness (mm)	1.3	
Weight (kg/m)	0.17	

Dwg NO.	T12×12×0.9	
Thickness (mm)	0.9	
Weight (kg/m)	0.05	



SHANDONG SAINTY ALUMINIUM LIMITED

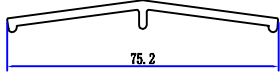
ADDRESS; No. 322 Yubei Rd, Dongcheng Industry Park, Linqu, Weifang 262600, China

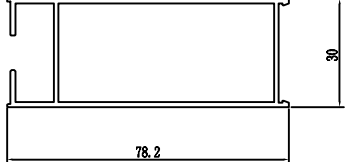
— SAINTY —

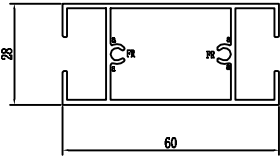
CELL+86 150 5290 5768

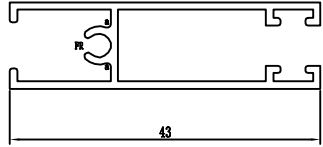
Email: info@staluminum.com

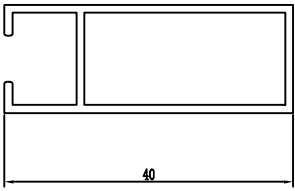
www.staluminumprofile.com

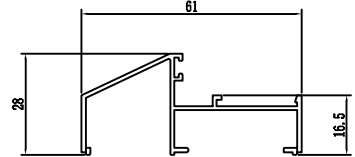
Dwg NO.	UA001	
Thickness (mm)	1.2	
Weight (kg/m)	0.136	

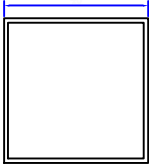
Dwg NO.	3502	
Thickness (mm)	1.3	
Weight (kg/m)	0.808	

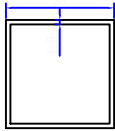
Dwg NO.	3501	
Thickness (mm)	1.3	
Weight (kg/m)	0.763	

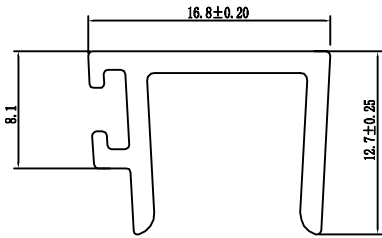
Dwg NO.	4005-2	
Thickness (mm)	1	
Weight (kg/m)	0.33	

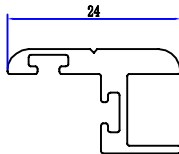
Dwg NO.	4010-1	
Thickness (mm)	1	
Weight (kg/m)	0.287	

Dwg NO.	3503	
Thickness (mm)	1.3	
Weight (kg/m)	0.453	

Dwg NO.	FG4040	
Thickness (mm)	1.2	
Weight (kg/m)	0.512	

Dwg NO.	FG3030	
Thickness (mm)	1.2	
Weight (kg/m)	0.374	

Dwg NO.	EX2502	
Thickness (mm)		
Weight (kg/m)	0.172	

Dwg NO.	EX2503	
Thickness (mm)		
Weight (kg/m)	0.274	



SHANDONG SAINTY ALUMINIUM LIMITED

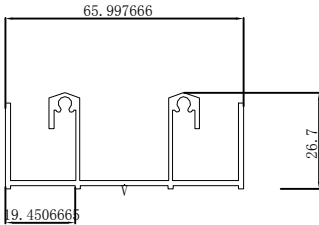
ADDRESS;No. 322 Yubei Rd, Dongcheng Industry Park,Linqu, Weifang 262600, China

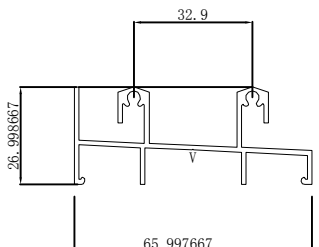
— SAINTY —

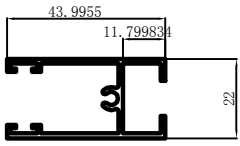
CELL+86 150 5290 5768

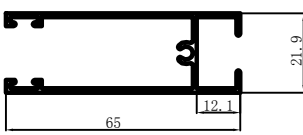
Email:info@staluminum.com

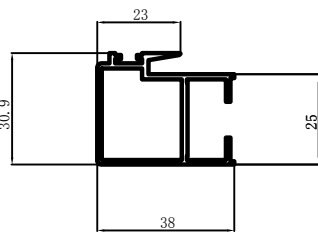
www.staluminumprofile.com

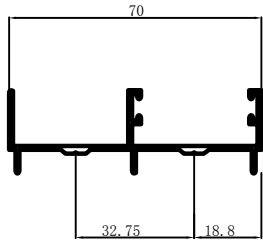
Dwg NO.	B02501	
Thickness (mm)	1.4	
Weight (kg/m)	0.734	

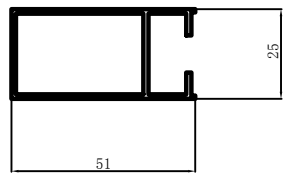
Dwg NO.	B02502	
Thickness (mm)	1.3	
Weight (kg/m)	0.7	

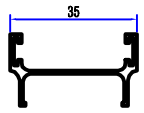
Dwg NO.	B02504	
Thickness (mm)	1.3	
Weight (kg/m)	0.49	

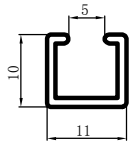
Dwg NO.	B02505	
Thickness (mm)	1.1	
Weight (kg/m)	0.55	

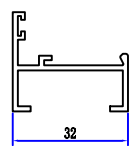
Dwg NO.	B02507	
Thickness (mm)	1.3	
Weight (kg/m)	0.573	

Dwg NO.	B02509	
Thickness (mm)	1.1	
Weight (kg/m)	0.494	

Dwg NO.	B02510	
Thickness (mm)	1.3	
Weight (kg/m)	0.571	

Dwg NO.	B02521	
Thickness (mm)	1	
Weight (kg/m)	0.254	

Dwg NO.	S5320	
Thickness (mm)	1.2	
Weight (kg/m)	0.105	

Dwg NO.	B03201	
Thickness (mm)	1.4	
Weight (kg/m)	0.341	



SHANDONG SAINTY ALUMINIUM LIMITED

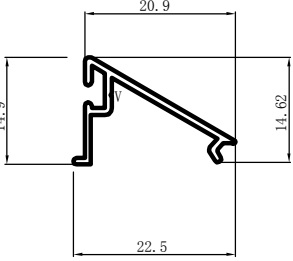
ADDRESS; No. 322 Yubei Rd, Dongcheng Industry Park, Linqu, Weifang 262600, China

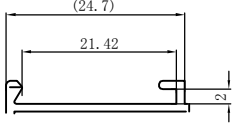
— SAINTY —

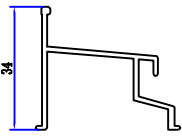
CELL+86 150 5290 5768

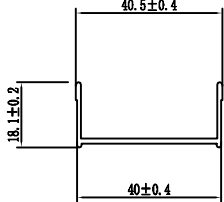
Email: info@staluminum.com

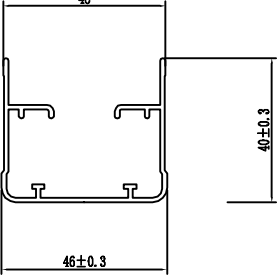
www.staluminumprofile.com

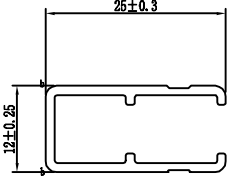
Dwg NO.	B03203	
Thickness (mm)	1	
Weight (kg/m)	0.139	

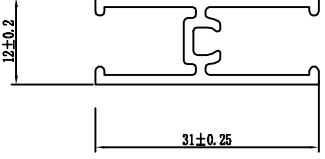
Dwg NO.	B03204	
Thickness (mm)	1.1	
Weight (kg/m)	0.486	

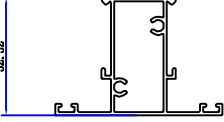
Dwg NO.	CMA1201	
Thickness (mm)	1.3	
Weight (kg/m)	0.364	

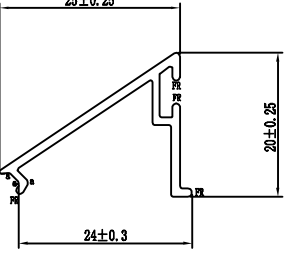
Dwg NO.	CMZ1202	
Thickness (mm)	1.2	
Weight (kg/m)	0.276	

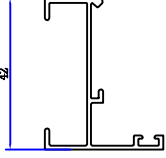
Dwg NO.	CMA1203	
Thickness (mm)	1.3	
Weight (kg/m)	0.606	

Dwg NO.	CMA1204	
Thickness (mm)	1	
Weight (kg/m)	0.2218	

Dwg NO.	CMA1205	
Thickness (mm)	1.3	
Weight (kg/m)	0.3	

Dwg NO.	B04204	
Thickness (mm)	1.2	
Weight (kg/m)	0.702	

Dwg NO.	B04203	
Thickness (mm)	1.2	
Weight (kg/m)	0.182	

Dwg NO.	B04209	
Thickness (mm)	1.2	
Weight (kg/m)	0.368	