



# SHANDONG SAINTY ALUMINIUM LIMITED

ADDRESS;No. 322 Yubei Rd, Dongcheng Industry Park,Linqu, Weifang 262600, China

— SAINTY —

CELL+86 150 5290 5768

Email:info@staluminum.com

www.staluminumprofile.com

Dwg NO.	LGY01	
Thickness (mm)	0.75	
Weight (kg/m)	0.443	

Dwg NO.	LGY02	
Thickness (mm)	0.75	
Weight (kg/m)	0.372	

Dwg NO.	LGY03	
Thickness (mm)	0.75	
Weight (kg/m)	0.225	

Dwg NO.	LGY04	
Thickness (mm)	0.75	
Weight (kg/m)	0.387	

Dwg NO.	LGY05	
Thickness (mm)	0.75	
Weight (kg/m)	0.318	

Dwg NO.	LGY06	
Thickness (mm)	0.75	
Weight (kg/m)	0.228	

Dwg NO.	LGY07	
Thickness (mm)	0.75	
Weight (kg/m)	0.402	

Dwg NO.	LGY08	
Thickness (mm)	0.75	
Weight (kg/m)	0.372	

Dwg NO.	LGY09	
Thickness (mm)	1.0	
Weight (kg/m)	0.259	

Dwg NO.	LGY10	
Thickness (mm)	0.75	
Weight (kg/m)	0.37	



# SHANDONG SAINTY ALUMINIUM LIMITED

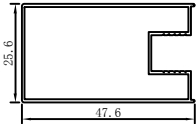
ADDRESS; No. 322 Yubei Rd, Dongcheng Industry Park, Linqu, Weifang 262600, China

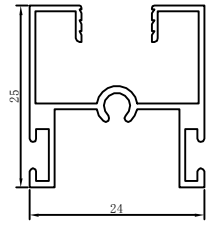
— SAINTY —

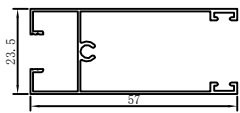
CELL+86 150 5290 5768

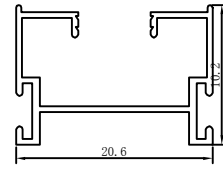
Email: info@staluminum.com


www.staluminumprofile.com

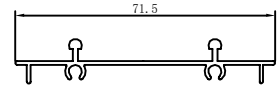
Dwg NO.	LGY11	
Thickness (mm)	0.75	
Weight (kg/m)	0.339	

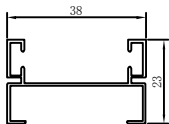
Dwg NO.	LGY12	
Thickness (mm)	0.75	
Weight (kg/m)	0.281	

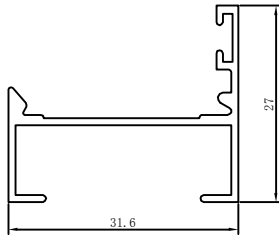
Dwg NO.	LGY13	
Thickness (mm)	0.75	
Weight (kg/m)	0.383	

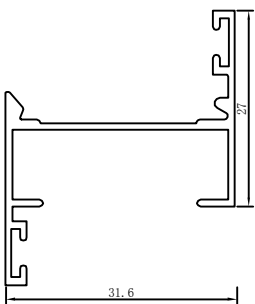
Dwg NO.	LGY14	
Thickness (mm)	0.75	
Weight (kg/m)	0.209	

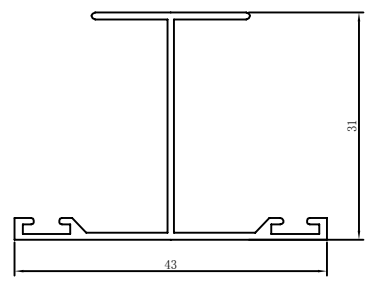
Dwg NO.	LGY15	
Thickness (mm)	0.75	
Weight (kg/m)	0.209	

Dwg NO.	LGY16	
Thickness (mm)	1.0	
Weight (kg/m)	0.338	

Dwg NO.	LGY17	
Thickness (mm)	0.75	
Weight (kg/m)	0.244	

Dwg NO.	LGY18	
Thickness (mm)	0.95	
Weight (kg/m)	0.253	

Dwg NO.	LGY19	
Thickness (mm)	0.95	
Weight (kg/m)	0.299	

Dwg NO.	LGY20	
Thickness (mm)	0.95	
Weight (kg/m)	0.278	



# SHANDONG SAINTY ALUMINIUM LIMITED

ADDRESS; No. 322 Yubei Rd, Dongcheng Industry Park, Linqu, Weifang 262600, China

— SAINTY —

CELL+86 150 5290 5768

Email: info@staluminum.com

www.staluminumprofile.com

Dwg NO.	LGY21	
Thickness (mm)	0.85	
Weight (kg/m)	0.115	

Dwg NO.	LGY22	
Thickness (mm)	0.85	
Weight (kg/m)	0.471	

Dwg NO.	LGY23	
Thickness (mm)	0.85	
Weight (kg/m)	0.613	

Dwg NO.	LGY24	
Thickness (mm)	0.85	
Weight (kg/m)	0.366	

Dwg NO.	LGY25	
Thickness (mm)	0.85	
Weight (kg/m)	0.39	

Dwg NO.	LGY26	
Thickness (mm)	0.85	
Weight (kg/m)	0.068	

Dwg NO.	LGY27	
Thickness (mm)	0.85	
Weight (kg/m)	0.206	

Dwg NO.	LGY28	
Thickness (mm)	0.85	
Weight (kg/m)	0.141	

Dwg NO.	LGY29	
Thickness (mm)	0.85	
Weight (kg/m)	0.173	

Dwg NO.	LGY30	
Thickness (mm)	0.85	
Weight (kg/m)	0.147	



# SHANDONG SAINTY ALUMINIUM LIMITED


ADDRESS;No. 322 Yubei Rd, Dongcheng Industry Park,Linqu, Weifang 262600, China

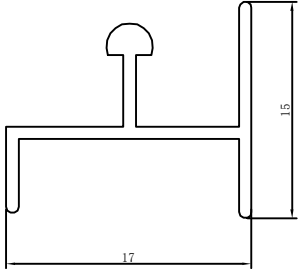
— SAINTY —

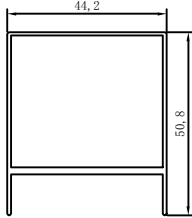
CELL+86 150 5290 5768

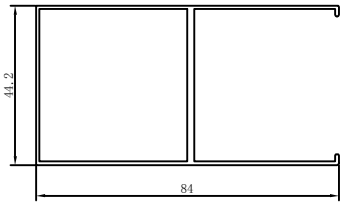
Email:info@staluminum.com

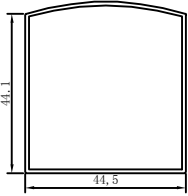
www.staluminumprofile.com

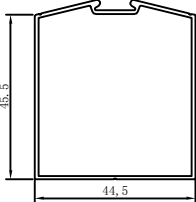
Dwg NO.	LGY31	
Thickness (mm)	0.85	
Weight (kg/m)	0.27	

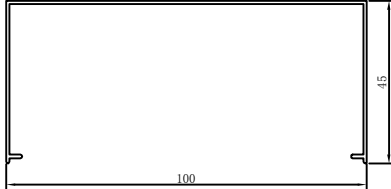
Dwg NO.	LGY32	
Thickness (mm)	0.85	
Weight (kg/m)	0.11	

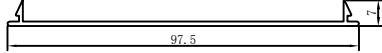
Dwg NO.	LGY33	
Thickness (mm)	1.0	
Weight (kg/m)	0.618	

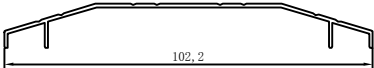
Dwg NO.	LGY34	
Thickness (mm)	1.0	
Weight (kg/m)	0.808	

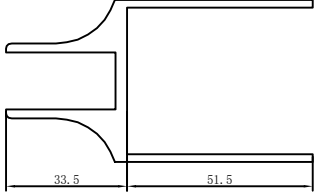
Dwg NO.	LGY35	
Thickness (mm)	1.0	
Weight (kg/m)	0.472	

Dwg NO.	LGY36	
Thickness (mm)	1.0	
Weight (kg/m)	0.505	

Dwg NO.	LGY37	
Thickness (mm)	0.9	
Weight (kg/m)	0.477	

Dwg NO.	LGY38	
Thickness (mm)	1.0	
Weight (kg/m)	0.363	

Dwg NO.	LGY39	
Thickness (mm)	1.0	
Weight (kg/m)	0.335	

Dwg NO.	LGY40	
Thickness (mm)	2.0	
Weight (kg/m)	1.649	



# SHANDONG SAINTY ALUMINIUM LIMITED

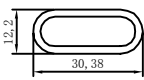
ADDRESS;No. 322 Yubei Rd, Dongcheng Industry Park, Linqu, Weifang 262600, China

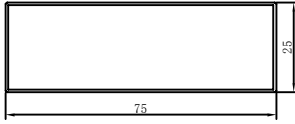
— SAINTY —

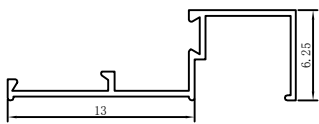
CELL+86 150 5290 5768

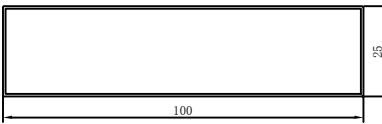
Email:info@staluminum.com

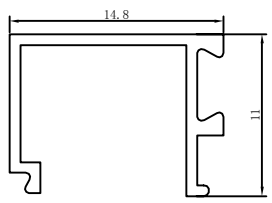
www.staluminumprofile.com

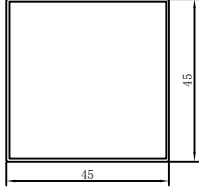
Dwg NO.	LGY41	
Thickness (mm)	2.0	
Weight (kg/m)	0.371	

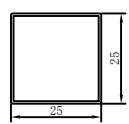
Dwg NO.	LGY46	
Thickness (mm)	0.75	
Weight (kg/m)	0.402	

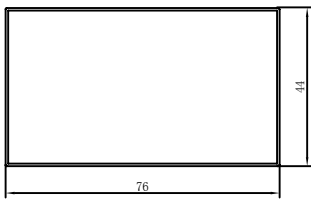
Dwg NO.	LGY42	
Thickness (mm)	0.75	
Weight (kg/m)	0.152	

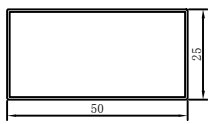
Dwg NO.	LGY47	
Thickness (mm)	0.75	
Weight (kg/m)	0.502	

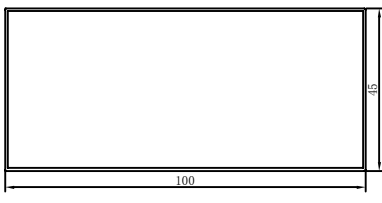
Dwg NO.	LGY43	
Thickness (mm)	0.75	
Weight (kg/m)	0.086	

Dwg NO.	LGY48	
Thickness (mm)	0.75	
Weight (kg/m)	0.36	

Dwg NO.	LGY44	
Thickness (mm)	0.75	
Weight (kg/m)	0.197	

Dwg NO.	LGY49	
Thickness (mm)	0.75	
Weight (kg/m)	0.481	

Dwg NO.	LGY45	
Thickness (mm)	0.75	
Weight (kg/m)	.0.299	

Dwg NO.	LGY50	
Thickness (mm)	0.75	
Weight (kg/m)	0.587	



# SHANDONG SAINTY ALUMINIUM LIMITED

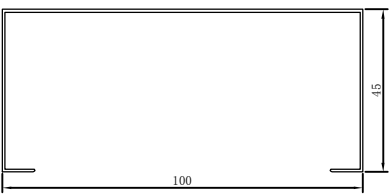
ADDRESS;No. 322 Yubei Rd, Dongcheng Industry Park, Linqu, Weifang 262600, China

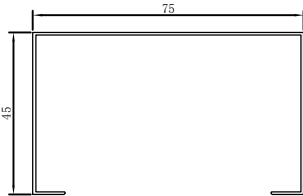
— SAINTY —

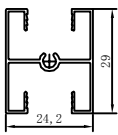
CELL+86 150 5290 5768

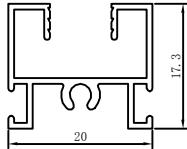
Email: info@staluminum.com

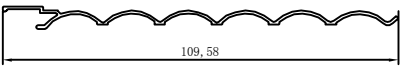
www.staluminumprofile.com

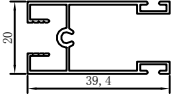
Dwg NO.	LGY51	
Thickness (mm)	0.75	
Weight (kg/m)	0.416	

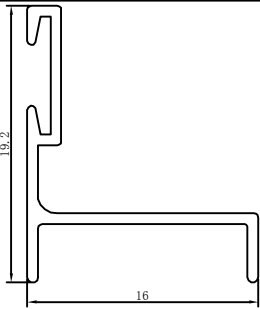
Dwg NO.	LGY62	
Thickness (mm)	0.75	
Weight (kg/m)	0.366	

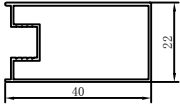
Dwg NO.	LGY55	
Thickness (mm)	0.75	
Weight (kg/m)	0.26	

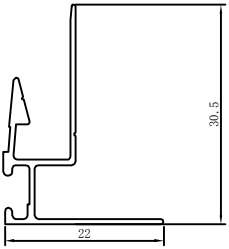
Dwg NO.	LGY66	
Thickness (mm)	0.8	
Weight (kg/m)	0.197	

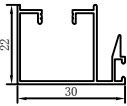
Dwg NO.	LGY54	
Thickness (mm)	0.8	
Weight (kg/m)	0.288	

Dwg NO.	LGY67	
Thickness (mm)	0.8	
Weight (kg/m)	0.317	

Dwg NO.	LGY57	
Thickness (mm)	0.75	
Weight (kg/m)	0.093	

Dwg NO.	LGY68	
Thickness (mm)	0.8	
Weight (kg/m)	0.294	

Dwg NO.	LGY58	
Thickness (mm)	0.8	
Weight (kg/m)	0.175	

Dwg NO.	LGY69	
Thickness (mm)	0.8	
Weight (kg/m)	0.246	



# SHANDONG SAINTY ALUMINIUM LIMITED

ADDRESS; No. 322 Yubei Rd, Dongcheng Industry Park, Linqu, Weifang 262600, China

— SAINTY —

CELL+86 150 5290 5768

Email: info@staluminum.com

www.staluminumprofile.com

Dwg NO.	LGY70	
Thickness (mm)	0.8	
Weight (kg/m)	0.175	

Dwg NO.	C25X13	
Thickness (mm)	0.75	
Weight (kg/m)	0.1	

Dwg NO.	LGY73	
Thickness (mm)	2.0	
Weight (kg/m)	0.401	

Dwg NO.	F32X32	
Thickness (mm)	0.75	
Weight (kg/m)	0.254	

Dwg NO.	LGY74	
Thickness (mm)	1.5	
Weight (kg/m)	0.197	

Dwg NO.	F3825	
Thickness (mm)	0.8	
Weight (kg/m)	0.267	

Dwg NO.	LGY75	
Thickness (mm)	1.5	
Weight (kg/m)	0.148	

Dwg NO.		
Thickness (mm)		
Weight (kg/m)		

Dwg NO.	LGY80	
Thickness (mm)	0.75	
Weight (kg/m)	0.595	

Dwg NO.		
Thickness (mm)		
Weight (kg/m)		



# SHANDONG SAINTY ALUMINIUM LIMITED

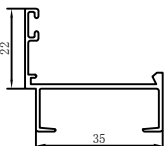
ADDRESS;No. 322 Yubei Rd, Dongcheng Industry Park, Linqu, Weifang 262600, China

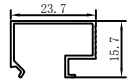
— SAINTY —

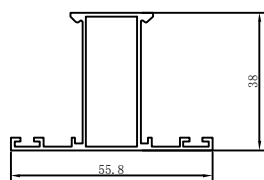
CELL+86 150 5290 5768

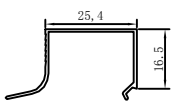
Email: info@staluminum.com

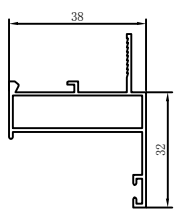
www.staluminumprofile.com

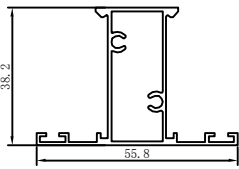
Dwg NO.	3801B	
Thickness (mm)	1.0	
Weight (kg/m)	0.306	

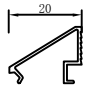
Dwg NO.	3804C	
Thickness (mm)	0.8	
Weight (kg/m)	0.144	

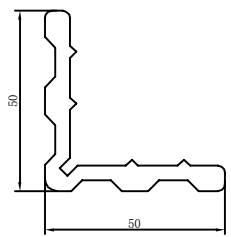
Dwg NO.	3802B	
Thickness (mm)	1.0	
Weight (kg/m)	0.506	

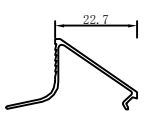
Dwg NO.	3805C	
Thickness (mm)	0.8	
Weight (kg/m)	0.163	

Dwg NO.	3803B	
Thickness (mm)	1.0	
Weight (kg/m)	0.423	

Dwg NO.	3802C	
Thickness (mm)	1.0	
Weight (kg/m)	0.558	

Dwg NO.	3804B	
Thickness (mm)	0.8	
Weight (kg/m)	0.111	

Dwg NO.	K5009E	
Thickness (mm)	4.0	
Weight (kg/m)	1.395	

Dwg NO.	3805B	
Thickness (mm)	0.8	
Weight (kg/m)	0.142	

Dwg NO.		
Thickness (mm)		
Weight (kg/m)		





# SHANDONG SAINTY ALUMINIUM LIMITED

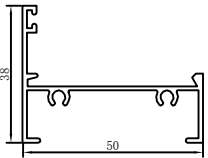
ADDRESS;No. 322 Yubei Rd, Dongcheng Industry Park,Linqu, Weifang 262600, China

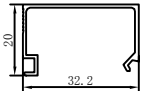
— SAINTY —

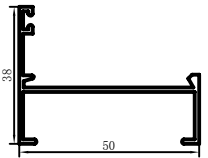
CELL+86 150 5290 5768

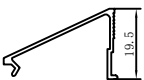
Email:info@staluminum.com

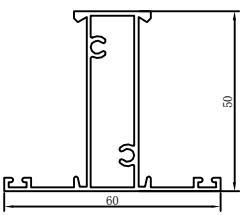
www.staluminumprofile.com

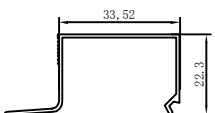
Dwg NO.	K5001A	
Thickness (mm)	1.2	
Weight (kg/m)	0.469	

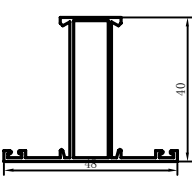
Dwg NO.	K5004A	
Thickness (mm)	1.0	
Weight (kg/m)	0.209	

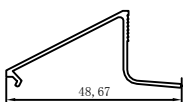
Dwg NO.	K5001E	
Thickness (mm)	1.2	
Weight (kg/m)	0.41	

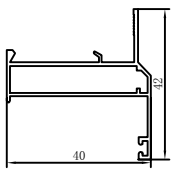
Dwg NO.	K5004E	
Thickness (mm)	1.0	
Weight (kg/m)	0.173	


Dwg NO.	K5002A	
Thickness (mm)	1.2	
Weight (kg/m)	0.724	

Dwg NO.	L5005A	
Thickness (mm)	1.0	
Weight (kg/m)	0.254	

Dwg NO.	K5002E	
Thickness (mm)	1.2	
Weight (kg/m)	0.665	

Dwg NO.	K5005E	
Thickness (mm)	1.0	
Weight (kg/m)	0.213	

Dwg NO.	K5003E	
Thickness (mm)	1.2	
Weight (kg/m)	0.597	

Dwg NO.	K5006E	
Thickness (mm)	1.0	
Weight (kg/m)	0.169	



# SHANDONG SAINTY ALUMINIUM LIMITED


ADDRESS;No. 322 Yubei Rd, Dongcheng Industry Park,Linqu, Weifang 262600, China

— SAINTY —

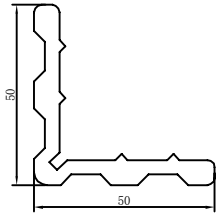
CELL+86 150 5290 5768

Email:info@staluminum.com

www.staluminumprofile.com

Dwg NO.	K5007E	
Thickness (mm)	1,0	
Weight (kg/m)	0.219	

Dwg NO.		
Thickness (mm)		
Weight (kg/m)		

Dwg NO.	K5009E	
Thickness (mm)	1.0	
Weight (kg/m)	1.395	

Dwg NO.		
Thickness (mm)		
Weight (kg/m)		

Dwg NO.		
Thickness (mm)		
Weight (kg/m)		

Dwg NO.		
Thickness (mm)		
Weight (kg/m)		

Dwg NO.		
Thickness (mm)		
Weight (kg/m)		

Dwg NO.		
Thickness (mm)		
Weight (kg/m)		

Dwg NO.		
Thickness (mm)		
Weight (kg/m)		

Dwg NO.		
Thickness (mm)		
Weight (kg/m)		



# SHANDONG SAINTY ALUMINIUM LIMITED

ADDRESS;No. 322 Yubei Rd, Dongcheng Industry Park,Linqu, Weifang 262600, China

— SAINTY —

CELL+86 150 5290 5768

Email:info@staluminum.com

www.staluminumprofile.com

Dwg NO.	79801	
Thickness (mm)	0.8	
Weight (kg/m)	0.46	

Dwg NO.	79807	
Thickness (mm)	0.8	
Weight (kg/m)	0.366	

Dwg NO.	79802	
Thickness (mm)	0.8	
Weight (kg/m)	0.538	

Dwg NO.	79810	
Thickness (mm)	0.8	
Weight (kg/m)	0.367	

Dwg NO.	79803	
Thickness (mm)	0.9	
Weight (kg/m)	0.341	

Dwg NO.	79811	
Thickness (mm)	0.8	
Weight (kg/m)	0.733	

Dwg NO.	79804	
Thickness (mm)	0.8	
Weight (kg/m)	0.317	

Dwg NO.	79812	
Thickness (mm)	0.8	
Weight (kg/m)	0.223	

Dwg NO.	79806	
Thickness (mm)	0.8	
Weight (kg/m)	0.344	

Dwg NO.	79813	
Thickness (mm)	0.6	
Weight (kg/m)	0.223	



# SHANDONG SAINTY ALUMINIUM LIMITED

ADDRESS; No. 322 Yubei Rd, Dongcheng Industry Park, Linqu, Weifang 262600, China

— SAINTY —

CELL+86 150 5290 5768

Email: info@staluminum.com

www.staluminumprofile.com

Dwg NO.	79814	
Thickness (mm)	0.8	
Weight (kg/m)	0.139	

Dwg NO.		
Thickness (mm)		
Weight (kg/m)		

Dwg NO.	79817	
Thickness (mm)	0.8	
Weight (kg/m)	0.653	

Dwg NO.		
Thickness (mm)		
Weight (kg/m)		

Dwg NO.	79819	
Thickness (mm)	1.2	
Weight (kg/m)	0.514	

Dwg NO.		
Thickness (mm)		
Weight (kg/m)		

Dwg NO.	79825	
Thickness (mm)	0.8	
Weight (kg/m)	0.436	

Dwg NO.		
Thickness (mm)		
Weight (kg/m)		

Dwg NO.		
Thickness (mm)		
Weight (kg/m)		

Dwg NO.		
Thickness (mm)		
Weight (kg/m)		



# SHANDONG SAINTY ALUMINIUM LIMITED

ADDRESS;No. 322 Yubei Rd, Dongcheng Industry Park, Linqu, Weifang 262600, China

— SAINTY —

CELL+86 150 5290 5768

Email:info@staluminum.com

www.staluminumprofile.com

Dwg NO.	99901	
Thickness (mm)	1.0	
Weight (kg/m)	0.623	

Dwg NO.	99905	
Thickness (mm)	1.0	
Weight (kg/m)	0.6	

Dwg NO.	99902	
Thickness (mm)	1.2	
Weight (kg/m)	0.991	

Dwg NO.	99906	
Thickness (mm)	1.0	
Weight (kg/m)	0.543	

Dwg NO.	99903	
Thickness (mm)	1.0	
Weight (kg/m)	0.525	

Dwg NO.	99907	
Thickness (mm)	1.0	
Weight (kg/m)	0.53	

Dwg NO.	99904	
Thickness (mm)	1.0	
Weight (kg/m)	0.468	

Dwg NO.	99908	
Thickness (mm)	1.0	
Weight (kg/m)	0.938	

Dwg NO.	99904A	
Thickness (mm)	1.0	
Weight (kg/m)	0.469	

Dwg NO.	99909	
Thickness (mm)	1.0	
Weight (kg/m)	1.096	



# SHANDONG SAINTY ALUMINIUM LIMITED

ADDRESS; No. 322 Yubei Rd, Dongcheng Industry Park, Linqu, Weifang 262600, China

— SAINTY —

CELL+86 150 5290 5768

Email: info@staluminum.com

www.staluminumprofile.com

Dwg NO.	99910	
Thickness (mm)	1.0	
Weight (kg/m)	0.483	

Dwg NO.	99916	
Thickness (mm)	1.0	
Weight (kg/m)	1.204	

Dwg NO.	99911	
Thickness (mm)	1.0	
Weight (kg/m)	0.961	

Dwg NO.	99917	
Thickness (mm)	1.0	
Weight (kg/m)	0.999	

Dwg NO.	99912	
Thickness (mm)	0.7	
Weight (kg/m)	0.214	

Dwg NO.	99925	
Thickness (mm)	0.85	
Weight (kg/m)	0.55	

Dwg NO.	99914	
Thickness (mm)	1.0	
Weight (kg/m)	0.212	

Dwg NO.		
Thickness (mm)		
Weight (kg/m)		

Dwg NO.	99915	
Thickness (mm)	1.0	
Weight (kg/m)	0.853	

Dwg NO.		
Thickness (mm)		
Weight (kg/m)		