



SHANDONG SAINTY ALUMINIUM LIMITED

ADDRESS;No. 322 Yubei Rd, Dongcheng Industry Park,Linqu, Weifang 262600, China

— SAINTY —

CELL+86 150 5290 5768

Email:info@staluminum.com

www.staluminumprofile.com

Dwg NO.	K AFL-90-1B	
Thickness (mm)	1.15	
Weight (kg/m)	0.786	

Dwg NO.	K AFL-90-3A	
Thickness (mm)	0.9	
Weight (kg/m)	0.404	

Dwg NO.	K AFL-90-2B	
Thickness (mm)	1.15	
Weight (kg/m)	0.985	

Dwg NO.	K AFL-90-4A	
Thickness (mm)	0.8	
Weight (kg/m)	0.407	

Dwg NO.	K AFL-90-3B	
Thickness (mm)	1.15	
Weight (kg/m)	0.607	

Dwg NO.	K AFL-90-5A	
Thickness (mm)	0.8	
Weight (kg/m)	0.417	

Dwg NO.	K AFL-90-1A	
Thickness (mm)	0.85	
Weight (kg/m)	0.596	

Dwg NO.	K AFL-90-7A	
Thickness (mm)	0.8	
Weight (kg/m)	0.443	

Dwg NO.	K AFL-90-2A	
Thickness (mm)	0.9	
Weight (kg/m)	0.824	

Dwg NO.	K AFL-90-11B	
Thickness (mm)	0.9	
Weight (kg/m)	0.475	



SHANDONG SAINTY ALUMINIUM LIMITED

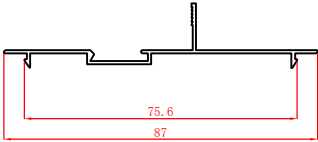
ADDRESS; No. 322 Yubei Rd, Dongcheng Industry Park, Linqu, Weifang 262600, China

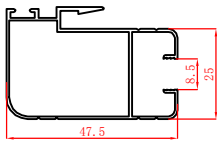
— SAINTY —

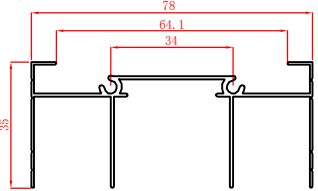
CELL+86 150 5290 5768

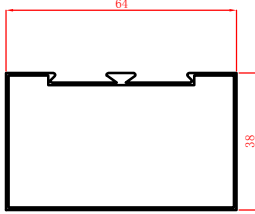
Email: info@staluminum.com

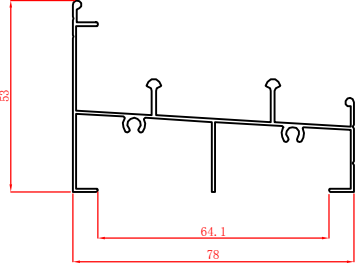
www.staluminumprofile.com

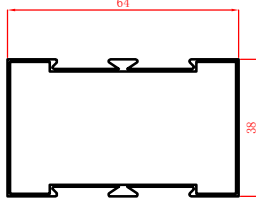
Dwg NO.	KAFI-90-13D	
Thickness (mm)	0.9	
Weight (kg/m)	0.293	

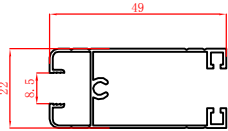
Dwg NO.	KAFI-78-7A	
Thickness (mm)	0.8	
Weight (kg/m)	0.424	

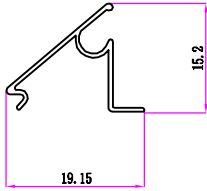
Dwg NO.	KAFI-78-1A	
Thickness (mm)	0.8	
Weight (kg/m)	0.527	

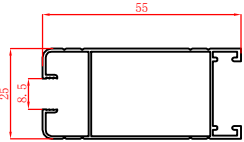
Dwg NO.	KAFI-98	
Thickness (mm)	0.7	
Weight (kg/m)	0.441	

Dwg NO.	KAFI-78-2A	
Thickness (mm)	0.9	
Weight (kg/m)	0.643	

Dwg NO.	KAFI-99	
Thickness (mm)	0.7	
Weight (kg/m)	0.502	

Dwg NO.	KAFI-78-4A	
Thickness (mm)	0.8	
Weight (kg/m)	0.382	

Dwg NO.	KAFI-97	
Thickness (mm)	0.55	
Weight (kg/m)	0.068	

Dwg NO.	KAFI-78-6A	
Thickness (mm)	0.8	
Weight (kg/m)	0.411	

Dwg NO.		
Thickness (mm)		
Weight (kg/m)		



SHANDONG SAINTY ALUMINIUM LIMITED

ADDRESS; No. 322 Yubei Rd, Dongcheng Industry Park, Linqu, Weifang 262600, China

— SAINTY —

CELL+86 150 5290 5768

Email: info@staluminum.com

www.staluminumprofile.com

Dwg NO.	M78-1	
Thickness (mm)	0.9	
Weight (kg/m)	0.58	

Dwg NO.	M78-7	
Thickness (mm)	0.9	
Weight (kg/m)	0.46	

Dwg NO.	M78-2	
Thickness (mm)	0.9	
Weight (kg/m)	0.8	

Dwg NO.	M78-9A	
Thickness (mm)	0.7	
Weight (kg/m)	0.216	

Dwg NO.	M78-3	
Thickness (mm)	0.9	
Weight (kg/m)	0.45	

Dwg NO.	M78-11B	
Thickness (mm)	0.9	
Weight (kg/m)	0.49	

Dwg NO.	78-4	
Thickness (mm)	0.85	
Weight (kg/m)	0.4	

Dwg NO.	M78-13C	
Thickness (mm)	0.8	
Weight (kg/m)	0.34	

Dwg NO.	M78-6	
Thickness (mm)	0.9	
Weight (kg/m)	0.45	

Dwg NO.	M78-13D	
Thickness (mm)	0.8	
Weight (kg/m)	0.27	



SHANDONG SAINTY ALUMINIUM LIMITED

ADDRESS;No. 322 Yubei Rd, Dongcheng Industry Park,Linqu, Weifang 262600, China

— SAINTY —

CELL+86 150 5290 5768

Email:info@staluminum.com

www.staluminumprofile.com

Dwg NO.	M78CLIP	
Thickness (mm)	0.6	
Weight (kg/m)	0.074	

Dwg NO.	M90-5	
Thickness (mm)	0.85	
Weight (kg/m)	0.45	

Dwg NO.	M90-1	
Thickness (mm)	0.9	
Weight (kg/m)	0.66	

Dwg NO.	M90-6	
Thickness (mm)	0.9	
Weight (kg/m)	0.53	

Dwg NO.	M90-2	
Thickness (mm)	1.0	
Weight (kg/m)	0.88	

Dwg NO.	M90-7	
Thickness (mm)	0.85	
Weight (kg/m)	0.51	

Dwg NO.	M90-3	
Thickness (mm)	0.9	
Weight (kg/m)	0.49	

Dwg NO.	M90-9A	
Thickness (mm)	0.7	
Weight (kg/m)	0.22	

Dwg NO.	M90-4	
Thickness (mm)	0.85	
Weight (kg/m)	0.45	

Dwg NO.	M90-11B	
Thickness (mm)	0.9	
Weight (kg/m)	0.5	



SHANDONG SAINTY ALUMINIUM LIMITED

ADDRESS; No. 322 Yubei Rd, Dongcheng Industry Park, Linqu, Weifang 262600, China

— SAINTY —

CELL+86 150 5290 5768

Email: info@staluminum.com

www.staluminumprofile.com

Dwg NO.	M90-13C	
Thickness (mm)	0.8	
Weight (kg/m)	0.31	

Dwg NO.	M100-13	
Thickness (mm)	0.9	
Weight (kg/m)	0.437	

Dwg NO.	M90-13D	
Thickness (mm)	0.8	
Weight (kg/m)	0.29	

Dwg NO.	M100-18	
Thickness (mm)	1.0	
Weight (kg/m)	0.46	

Dwg NO.	M90-CLIP	
Thickness (mm)	0.6	
Weight (kg/m)	0.1	

Dwg NO.	M100-20	
Thickness (mm)	1.0	
Weight (kg/m)	0.48	

Dwg NO.	M100-4	
Thickness (mm)	0.9	
Weight (kg/m)	0.52	

Dwg NO.	M100-21	
Thickness (mm)	0.75	
Weight (kg/m)	0.116	

Dwg NO.	M100-6	
Thickness (mm)	0.9	
Weight (kg/m)	0.581	

Dwg NO.	M-ANGLE	
Thickness (mm)	2.0	
Weight (kg/m)	0.323	



SHANDONG SAINTY ALUMINIUM LIMITED

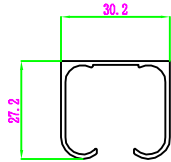
ADDRESS; No. 322 Yubei Rd, Dongcheng Industry Park, Linqu, Weifang 262600, China

— SAINTY —

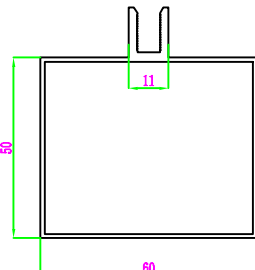
CELL+86 150 5290 5768

Email: info@staluminum.com

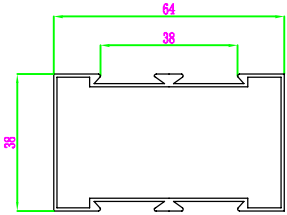
www.staluminumprofile.com

Dwg NO.	M-C CHANEL	
Thickness (mm)	0.85	
Weight (kg/m)	0.244	

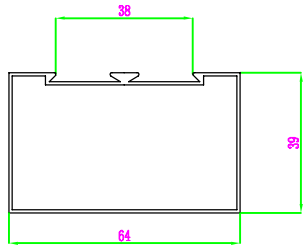
Dwg NO.		
Thickness (mm)		
Weight (kg/m)		

Dwg NO.	M60X50	
Thickness (mm)	1.1	
Weight (kg/m)	0.84	

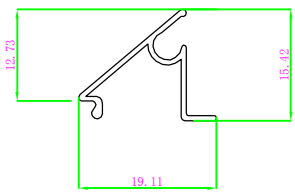
Dwg NO.		
Thickness (mm)		
Weight (kg/m)		

Dwg NO.	M-D. T	
Thickness (mm)	0.8	
Weight (kg/m)	0.565	

Dwg NO.		
Thickness (mm)		
Weight (kg/m)		

Dwg NO.	M-S. T	
Thickness (mm)	0.8	
Weight (kg/m)	0.504	

Dwg NO.		
Thickness (mm)		
Weight (kg/m)		

Dwg NO.	M-T CLIP	
Thickness (mm)	0.6	
Weight (kg/m)	0.087	

Dwg NO.		
Thickness (mm)		
Weight (kg/m)		