



SHANDONG SAINTY ALUMINIUM LIMITED

ADDRESS; No. 322 Yubei Rd, Dongcheng Industry Park, Linqu, Weifang 262600, China

— SAINTY —

CELL+86 150 5290 5768

Email: info@staluminum.com

www.staluminumprofile.com

Dwg NO.	XD-QA1	
Thickness (mm)	1.5	
Weight (kg/m)	0.642	

Dwg NO.	XD-QA6	
Thickness (mm)	1.4	
Weight (kg/m)	0.869	

Dwg NO.	XD-QA2	
Thickness (mm)	1.2	
Weight (kg/m)	0.351	

Dwg NO.	XD-QA7	
Thickness (mm)	1.4	
Weight (kg/m)	0.884	

Dwg NO.	XD-QA3	
Thickness (mm)	1.0	
Weight (kg/m)	0.172	

Dwg NO.	XD-QA8	
Thickness (mm)	1.6	
Weight (kg/m)	1.631	

Dwg NO.	XD-QA4	
Thickness (mm)	1.0	
Weight (kg/m)	0.169	

Dwg NO.	XD-QA9	
Thickness (mm)	1.6	
Weight (kg/m)	1.711	

Dwg NO.	XD-QA5	
Thickness (mm)	1.4	
Weight (kg/m)	0.742	

Dwg NO.	XD-QA10	
Thickness (mm)	1.5	
Weight (kg/m)	1.118	



SHANDONG SAINTY ALUMINIUM LIMITED

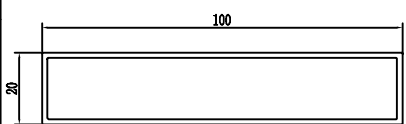
ADDRESS;No. 322 Yubei Rd, Dongcheng Industry Park,Linqu, Weifang 262600, China

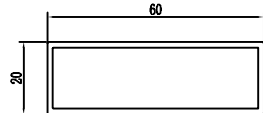
— SAINTY —

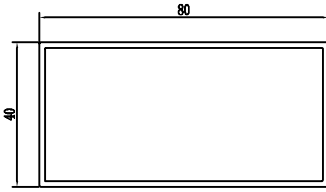
CELL+86 150 5290 5768

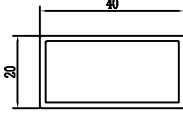
Email:info@staluminum.com

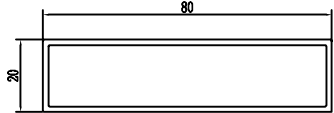
www.staluminumprofile.com

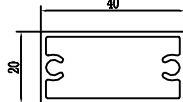
Dwg NO.	XD-QA11	
Thickness (mm)	1.5	
Weight (kg/m)	0.955	

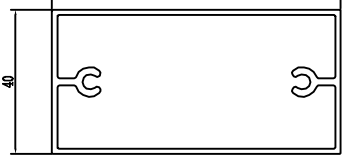
Dwg NO.	XD-QA16	
Thickness (mm)	1.5	
Weight (kg/m)	0.628	

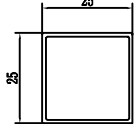
Dwg NO.	XD-QA12	
Thickness (mm)	1.5	
Weight (kg/m)	0.955	

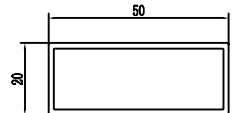
Dwg NO.	XD-QA17	
Thickness (mm)	1.5	
Weight (kg/m)	0.465	

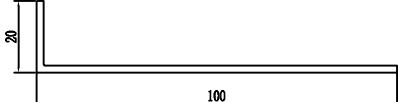
Dwg NO.	XD-QA13	
Thickness (mm)	1.5	
Weight (kg/m)	0.792	

Dwg NO.	XD-QA18	
Thickness (mm)	1.5	
Weight (kg/m)	0.549	

Dwg NO.	XD-QA14	
Thickness (mm)	1.5	
Weight (kg/m)	1.178	

Dwg NO.	XD-QA19	
Thickness (mm)	1.0	
Weight (kg/m)	0.261	

Dwg NO.	XD-QA15	
Thickness (mm)	1.5	
Weight (kg/m)	0.547	

Dwg NO.	XD-QA20	
Thickness (mm)	2.0	
Weight (kg/m)	0.642	



SHANDONG SAINTY ALUMINIUM LIMITED

ADDRESS; No. 322 Yubei Rd, Dongcheng Industry Park, Linqu, Weifang 262600, China

— SAINTY —

CELL+86 150 5290 5768

Email: info@staluminum.com

www.staluminumprofile.com

Dwg NO.	XD-QA21	
Thickness (mm)	2.0	
Weight (kg/m)	0.534	

Dwg NO.	XD-QA26	
Thickness (mm)	1.4	
Weight (kg/m)	0.907	

Dwg NO.	XD-QA22	
Thickness (mm)	2.0	
Weight (kg/m)	0.315	

Dwg NO.		
Thickness (mm)		
Weight (kg/m)		

Dwg NO.	XD-QA23	
Thickness (mm)	1.2	
Weight (kg/m)	0.218	

Dwg NO.		
Thickness (mm)		
Weight (kg/m)		

Dwg NO.	XD-QA24	
Thickness (mm)	1.0	
Weight (kg/m)	0.755	

Dwg NO.		
Thickness (mm)		
Weight (kg/m)		

Dwg NO.	XD-QA25	
Thickness (mm)	1.6	
Weight (kg/m)	1.006	

Dwg NO.		
Thickness (mm)		
Weight (kg/m)		