



SHANDONG SAINTY ALUMINIUM LIMITED

ADDRESS; No. 322 Yubei Rd, Dongcheng Industry Park, Linqu, Weifang 262600, China

— SAINTY —

CELL+86 150 5290 5768

Email: info@staluminum.com

www.staluminumprofile.com

Dwg NO.	SC-0936	
Thickness (mm)	2.0	
Weight (kg/m)	0.696	

Dwg NO.	6F-389	
Thickness (mm)	1.3	
Weight (kg/m)	0.43	

Dwg NO.	6F-231	
Thickness (mm)	0.9	
Weight (kg/m)	0.08	

Dwg NO.	WD-538	
Thickness (mm)	3.0	
Weight (kg/m)	0.39	

Dwg NO.	6F-093	
Thickness (mm)	2.8	
Weight (kg/m)	0.38	

Dwg NO.	GF-119	
Thickness (mm)	2.9	
Weight (kg/m)	0.378	

Dwg NO.	1F-058	
Thickness (mm)	1.4	
Weight (kg/m)	0.26	

Dwg NO.	6F-048	
Thickness (mm)	2.2	
Weight (kg/m)	0.7	

Dwg NO.	6F-475	
Thickness (mm)	1.3	
Weight (kg/m)	0.29	

Dwg NO.	6F-041	
Thickness (mm)	2.2	
Weight (kg/m)	0.73	



SHANDONG SAINTY ALUMINIUM LIMITED

ADDRESS; No. 322 Yubei Rd, Dongcheng Industry Park, Linqu, Weifang 262600, China

— SAINTY —

CELL+86 150 5290 5768

Email: info@staluminum.com

www.staluminumprofile.com

Dwg NO.	GF-460	
Thickness (mm)		
Weight (kg/m)	0.3	

Dwg NO.	6F-183	
Thickness (mm)	1.5	
Weight (kg/m)	0.26	

Dwg NO.	WD-116	
Thickness (mm)	2.4	
Weight (kg/m)	1.34	

Dwg NO.	WD-086	
Thickness (mm)	1.4	
Weight (kg/m)	0.75	

Dwg NO.	6F-032	
Thickness (mm)	2.0	
Weight (kg/m)	1.45	

Dwg NO.	WD-061	
Thickness (mm)	2.2	
Weight (kg/m)	1.7	

Dwg NO.	WD-532	
Thickness (mm)	1.2	
Weight (kg/m)	0.66	

Dwg NO.	WD-129	
Thickness (mm)	1.2	
Weight (kg/m)	0.4	

Dwg NO.	WD-173	
Thickness (mm)	1.2	
Weight (kg/m)	0.51	

Dwg NO.	WD-087	
Thickness (mm)	1.4	
Weight (kg/m)	0.65	



SHANDONG SAINTY ALUMINIUM LIMITED

ADDRESS; No. 322 Yubei Rd, Dongcheng Industry Park, Linqu, Weifang 262600, China

— SAINTY —

CELL+86 150 5290 5768

Email: info@staluminum.com

www.staluminumprofile.com

Dwg NO.	WD-429	
Thickness (mm)	1.2	
Weight (kg/m)	0.36	

Dwg NO.	WD-045	
Thickness (mm)	1.2	
Weight (kg/m)	0.59	

Dwg NO.	WD-531	
Thickness (mm)	1.4	
Weight (kg/m)	0.44	

Dwg NO.	IF-388	
Thickness (mm)	2.4	
Weight (kg/m)	1.04	

Dwg NO.	WD-206	
Thickness (mm)	1.8	
Weight (kg/m)	1.56	

Dwg NO.	HDB-001	
Thickness (mm)	1.8	
Weight (kg/m)	2.7	

Dwg NO.	CL36×36×2	
Thickness (mm)	2.0	
Weight (kg/m)	0.565	

Dwg NO.	FG12538	
Thickness (mm)	2.3	
Weight (kg/m)	1.967	

Dwg NO.	502A	
Thickness (mm)	1.4	
Weight (kg/m)	1.555	

Dwg NO.	H701-1/2	
Thickness (mm)	1.8	
Weight (kg/m)	2.467	



SHANDONG SAINTY ALUMINIUM LIMITED

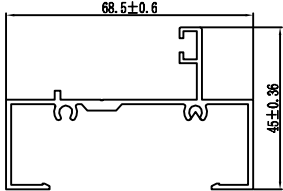
ADDRESS; No. 322 Yubei Rd, Dongcheng Industry Park, Linqu, Weifang 262600, China

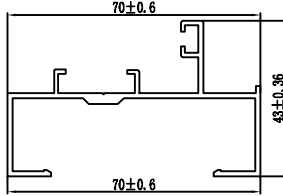
— SAINTY —

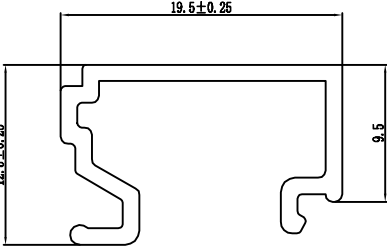
CELL+86 150 5290 5768

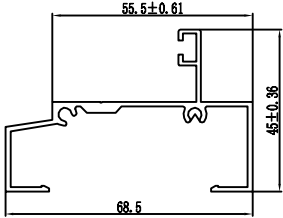
Email: info@staluminum.com

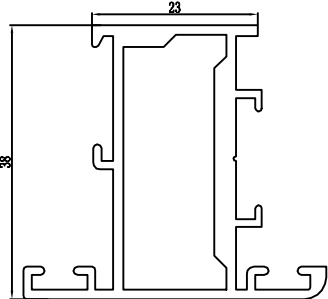
www.staluminumprofile.com

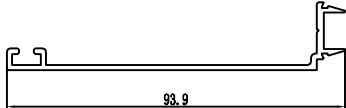
Dwg NO.	S2010	
Thickness (mm)	1.35	
Weight (kg/m)	0.741	

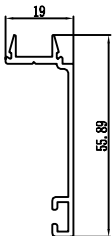
Dwg NO.	S2012N	
Thickness (mm)	1.35	
Weight (kg/m)	0.714	

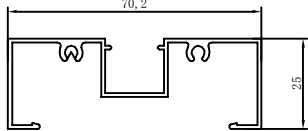
Dwg NO.	S2032	
Thickness (mm)	1.15	
Weight (kg/m)	0.160	

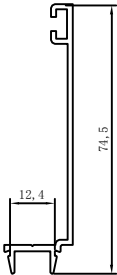
Dwg NO.	S2043	
Thickness (mm)	1.35	
Weight (kg/m)	0.714	

Dwg NO.	S2073	
Thickness (mm)	1.35	
Weight (kg/m)	0.761	

Dwg NO.	WD-531B	
Thickness (mm)	1.5	
Weight (kg/m)	0.528	

Dwg NO.	WD-531A	
Thickness (mm)	1.5	
Weight (kg/m)	0.374	

Dwg NO.	WD-045	
Thickness (mm)	1.1	
Weight (kg/m)	0.595	

Dwg NO.	WD-531	
Thickness (mm)	1.4	
Weight (kg/m)	0.44	

Dwg NO.		
Thickness (mm)		
Weight (kg/m)		