



SHANDONG SAINTY ALUMINIUM LIMITED

ADDRESS; No. 322 Yubei Rd, Dongcheng Industry Park, Linqu, Weifang 262600, China

— SAINTY —

CELL+86 150 5290 5768

Email: info@staluminum.com

www.staluminumprofile.com

Dwg NO.	GN01	
Thickness (mm)	1	
Weight (kg/m)	0.34	

Dwg NO.	GN02	
Thickness (mm)	1	
Weight (kg/m)	0.31	

Dwg NO.	GN03	
Thickness (mm)	1	
Weight (kg/m)	0.12	

Dwg NO.	GN04	
Thickness (mm)	1	
Weight (kg/m)	0.23	

Dwg NO.	GN05	
Thickness (mm)	3.5	
Weight (kg/m)	0.64	

Dwg NO.	GN06	
Thickness (mm)	1	
Weight (kg/m)	0.45	

Dwg NO.	GN07	
Thickness (mm)	1.2	
Weight (kg/m)	0.79	

Dwg NO.	GN08	
Thickness (mm)	1.2	
Weight (kg/m)	0.286	

Dwg NO.	GN09	
Thickness (mm)	1	
Weight (kg/m)	0.57	

Dwg NO.	GN10	
Thickness (mm)	1	
Weight (kg/m)	0.58	



SHANDONG SAINTY ALUMINIUM LIMITED

ADDRESS; No. 322 Yubei Rd, Dongcheng Industry Park, Linqu, Weifang 262600, China

— SAINTY —

CELL+86 150 5290 5768

Email: info@staluminum.com

www.staluminumprofile.com

Dwg NO.	GN11	
Thickness (mm)	1.1	
Weight (kg/m)	0.705	

Dwg NO.	GN12	
Thickness (mm)	1	
Weight (kg/m)	0.443	

Dwg NO.	GN13	
Thickness (mm)	1	
Weight (kg/m)	0.668	

Dwg NO.	GN14	
Thickness (mm)	1.3	
Weight (kg/m)	0.764	

Dwg NO.	GN15	
Thickness (mm)	0.9	
Weight (kg/m)	0.189	

Dwg NO.	GN16	
Thickness (mm)	1.1	
Weight (kg/m)	0.551	

Dwg NO.	GN17	
Thickness (mm)	1.3	
Weight (kg/m)	0.756	

Dwg NO.	GN18	
Thickness (mm)	1	
Weight (kg/m)	0.858	

Dwg NO.	GN19	
Thickness (mm)	1	
Weight (kg/m)	0.906	

Dwg NO.	GN20	
Thickness (mm)	0.9	
Weight (kg/m)	0.217	



SHANDONG SAINTY ALUMINIUM LIMITED

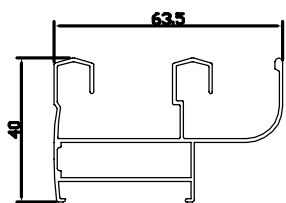
ADDRESS; No. 322 Yubei Rd, Dongcheng Industry Park, Linqu, Weifang 262600, China

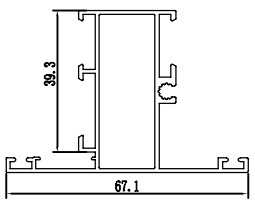
— SAINTY —

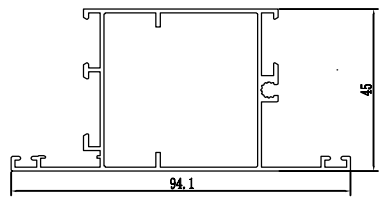
CELL+86 150 5290 5768

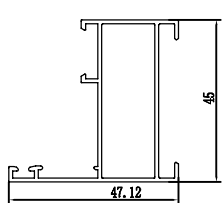
Email: info@staluminum.com

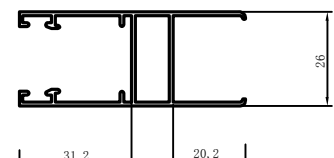
www.staluminumprofile.com

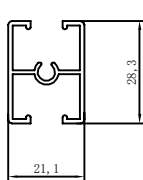
Dwg NO.	GNOA	
Thickness (mm)	0.9	
Weight (kg/m)	0.652	

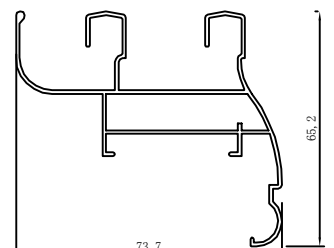
Dwg NO.	GNOB	
Thickness (mm)	1.1	
Weight (kg/m)	0.719	

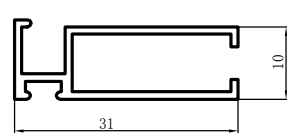
Dwg NO.	GNOB-1	
Thickness (mm)	1.1	
Weight (kg/m)	0.9	

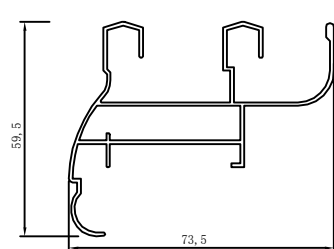
Dwg NO.	GNOC	
Thickness (mm)	1.1	
Weight (kg/m)	0.563	

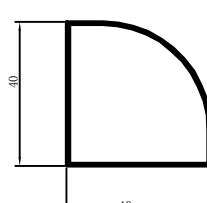
Dwg NO.	GN10-22	
Thickness (mm)	1	
Weight (kg/m)	0.58	

Dwg NO.	GN24	
Thickness (mm)	1.1	
Weight (kg/m)	0.33	

Dwg NO.	GN26	
Thickness (mm)	1.1	
Weight (kg/m)	0.79	

Dwg NO.	GN04-1	
Thickness (mm)	1	
Weight (kg/m)	0.222	

Dwg NO.	GN07-10	
Thickness (mm)	1	
Weight (kg/m)	0.79	

Dwg NO.	GN02-8	
Thickness (mm)	0.8	
Weight (kg/m)	0.31	