



SHANDONG SAINTY ALUMINIUM LIMITED

ADDRESS;No. 322 Yubei Rd, Dongcheng Industry Park,Linqu, Weifang 262600, China

— SAINTY —

CELL+86 150 5290 5768

Email:info@staluminum.com

www.staluminumprofile.com

Dwg NO.	BG5025	
Thickness (mm)	0.8	
Weight (kg/m)	0.319	

Dwg NO.	BG7644	
Thickness (mm)	1	
Weight (kg/m)	0.642	

Dwg NO.	MB9308A	
Thickness (mm)	0.6	
Weight (kg/m)	0.348	

Dwg NO.	KB108	
Thickness (mm)	1	
Weight (kg/m)	0.365	

Dwg NO.	24YZ	
Thickness (mm)	0.6	
Weight (kg/m)	0.086	

Dwg NO.	24YX	
Thickness (mm)	0.7	
Weight (kg/m)	0.068	

Dwg NO.	77C01A	
Thickness (mm)	1	
Weight (kg/m)	0.76	

Dwg NO.	77C03A	
Thickness (mm)	1	
Weight (kg/m)	0.65	

Dwg NO.	77C04	
Thickness (mm)	0.8	
Weight (kg/m)	0.267	

Dwg NO.	77C05	
Thickness (mm)	0.8	
Weight (kg/m)	0.338	



SHANDONG SAINTY ALUMINIUM LIMITED

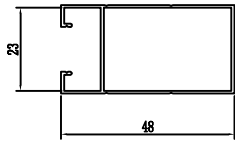
ADDRESS; No. 322 Yubei Rd, Dongcheng Industry Park, Linqu, Weifang 262600, China

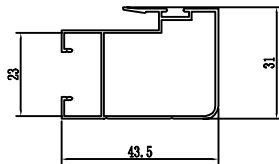
— SAINTY —

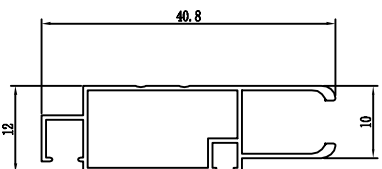
CELL+86 150 5290 5768

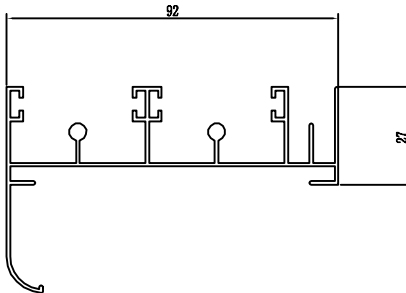
Email: info@staluminum.com

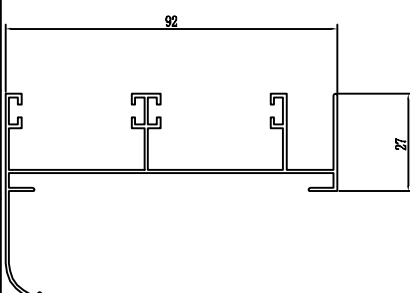
www.staluminumprofile.com

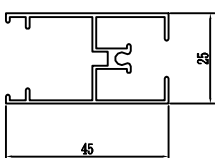
Dwg NO.	77C06	
Thickness (mm)	0.8	
Weight (kg/m)	0.339	

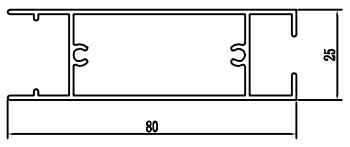
Dwg NO.	77C07	
Thickness (mm)	0.8	
Weight (kg/m)	0.377	

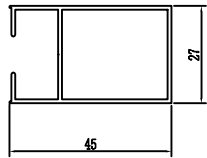
Dwg NO.	77CSC	
Thickness (mm)	0.6	
Weight (kg/m)	0.188	

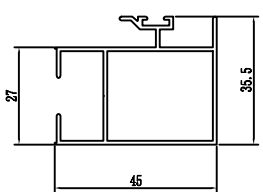
Dwg NO.	92C01	
Thickness (mm)	1	
Weight (kg/m)	0.922	


Dwg NO.	92C03	
Thickness (mm)	1	
Weight (kg/m)	0.759	

Dwg NO.	92C04	
Thickness (mm)	1	
Weight (kg/m)	0.445	

Dwg NO.	92C05	
Thickness (mm)	1.2	
Weight (kg/m)	0.778	

Dwg NO.	92C06	
Thickness (mm)	1.1	
Weight (kg/m)	0.459	

Dwg NO.	92C07	
Thickness (mm)	1.1	
Weight (kg/m)	0.568	

Dwg NO.	73M08	
Thickness (mm)	1.2	
Weight (kg/m)	1.12	



SHANDONG SAINTY ALUMINIUM LIMITED

ADDRESS; No. 322 Yubei Rd, Dongcheng Industry Park, Linqu, Weifang 262600, China

— SAINTY —

CELL+86 150 5290 5768

Email: info@staluminum.com

www.staluminumprofile.com

Dwg NO.	ZM21	
Thickness (mm)	1.1	
Weight (kg/m)	1.12	

Dwg NO.	ZM22	
Thickness (mm)	1.3	
Weight (kg/m)	0.8	

Dwg NO.	ZM23	
Thickness (mm)	1.6	
Weight (kg/m)	0.948	

Dwg NO.	ZM24	
Thickness (mm)	1.3	
Weight (kg/m)	0.81	

Dwg NO.	ZM25	
Thickness (mm)	1.2	
Weight (kg/m)	0.28	

Dwg NO.	ZM4001	
Thickness (mm)	1.0	
Weight (kg/m)	0.415	

Dwg NO.	ZM4004	
Thickness (mm)	0.9	
Weight (kg/m)	0.193	

Dwg NO.	ZM4005	
Thickness (mm)	1.2	
Weight (kg/m)	0.735	

Dwg NO.		
Thickness (mm)		
Weight (kg/m)		

Dwg NO.		
Thickness (mm)		
Weight (kg/m)		