



SHANDONG SAINTY ALUMINIUM LIMITED

ADDRESS; No. 322 Yubei Rd, Dongcheng Industry Park, Linqu, Weifang 262600, China

— SAINTY —

CELL+86 150 5290 5768

Email: info@staluminum.com

www.staluminumprofile.com

Dwg NO.	A1	
Thickness (mm)	0.85	
Weight (kg/m)	0.412	

Dwg NO.	A2	
Thickness (mm)	0.9	
Weight (kg/m)	0.492	

Dwg NO.	A3	
Thickness (mm)	0.9	
Weight (kg/m)	0.423	

Dwg NO.	A4	
Thickness (mm)	0.9	
Weight (kg/m)	0.375	

Dwg NO.	A5	
Thickness (mm)	0.9	
Weight (kg/m)	0.347	

Dwg NO.	A6	
Thickness (mm)	0.9	
Weight (kg/m)	0.416	

Dwg NO.	A7	
Thickness (mm)	1	
Weight (kg/m)	0.471	

Dwg NO.	A8	
Thickness (mm)	1.6	
Weight (kg/m)	1.102	

Dwg NO.	A9	
Thickness (mm)	1.6	
Weight (kg/m)	0.883	

Dwg NO.	A10	
Thickness (mm)	1.6	
Weight (kg/m)	0.913	



SHANDONG SAINTY ALUMINIUM LIMITED

ADDRESS; No. 322 Yubei Rd, Dongcheng Industry Park, Linqu, Weifang 262600, China

— SAINTY —

CELL+86 150 5290 5768

Email: info@staluminum.com

www.staluminumprofile.com

Dwg NO.	A11	
Thickness (mm)	1.1	
Weight (kg/m)	0.86	

Dwg NO.	A12	
Thickness (mm)	1.1	
Weight (kg/m)	0.894	

Dwg NO.	A13	
Thickness (mm)	1	
Weight (kg/m)	0.472	

Dwg NO.	A14	
Thickness (mm)	1	
Weight (kg/m)	0.286	

Dwg NO.	A15	
Thickness (mm)	1	
Weight (kg/m)	0.174	

Dwg NO.	A16	
Thickness (mm)	0.8	
Weight (kg/m)	0.112	

Dwg NO.	A17	
Thickness (mm)	1	
Weight (kg/m)	0.116	

Dwg NO.	A18	
Thickness (mm)	1	
Weight (kg/m)	0.664	

Dwg NO.	A19	
Thickness (mm)	4	
Weight (kg/m)	0.92	

Dwg NO.	A20	
Thickness (mm)	1.3	
Weight (kg/m)	0.861	



SHANDONG SAINTY ALUMINIUM LIMITED

ADDRESS; No. 322 Yubei Rd, Dongcheng Industry Park, Linqu, Weifang 262600, China

— SAINTY —

CELL+86 150 5290 5768

Email: info@staluminum.com

www.staluminumprofile.com

Dwg NO.	A21	
Thickness (mm)	1.3	
Weight (kg/m)	0.71	

Dwg NO.	A22	
Thickness (mm)	14.1	
Weight (kg/m)	1.113	

Dwg NO.	A23	
Thickness (mm)	1.4	
Weight (kg/m)	0.303	

Dwg NO.	A24	
Thickness (mm)	1.4	
Weight (kg/m)	0.106	

Dwg NO.	A25	
Thickness (mm)	1	
Weight (kg/m)	0.096	

Dwg NO.	A26	
Thickness (mm)	2	
Weight (kg/m)	0.705	

Dwg NO.	A27	
Thickness (mm)	0.9	
Weight (kg/m)	0.434	

Dwg NO.	A28	
Thickness (mm)	1	
Weight (kg/m)	0.221	

Dwg NO.	A29	
Thickness (mm)	0.8	
Weight (kg/m)	0.138	

Dwg NO.	A30	
Thickness (mm)	1.1	
Weight (kg/m)	0.182	



SHANDONG SAINTY ALUMINIUM LIMITED

ADDRESS; No. 322 Yubei Rd, Dongcheng Industry Park, Linqu, Weifang 262600, China

— SAINTY —

CELL+86 150 5290 5768

Email: info@staluminum.com

www.staluminumprofile.com

Dwg NO.	A31	
Thickness (mm)	1.2	
Weight (kg/m)	0.697	

Dwg NO.	A32	
Thickness (mm)	0.8	
Weight (kg/m)	0.41	

Dwg NO.	A33	
Thickness (mm)	1.1	
Weight (kg/m)	0.064	

Dwg NO.	A34	
Thickness (mm)	0.8	
Weight (kg/m)	0.267	

Dwg NO.	A35	
Thickness (mm)	0.9	
Weight (kg/m)	0.271	

Dwg NO.	A36	
Thickness (mm)	0.9	
Weight (kg/m)	0.296	

Dwg NO.	A37	
Thickness (mm)	0.9	
Weight (kg/m)	0.24	

Dwg NO.	A38	
Thickness (mm)	0.8	
Weight (kg/m)	0.08	

Dwg NO.	A39	
Thickness (mm)	1	
Weight (kg/m)	0.13	

Dwg NO.	A40	
Thickness (mm)	0.9	
Weight (kg/m)	0.06	



SHANDONG SAINTY ALUMINIUM LIMITED

ADDRESS; No. 322 Yubei Rd, Dongcheng Industry Park, Linqu, Weifang 262600, China

— SAINTY —

CELL+86 150 5290 5768

Email: info@staluminum.com

www.staluminumprofile.com

Dwg NO.	A41	
Thickness (mm)	1.1	
Weight (kg/m)	0.11	

Dwg NO.	A42	
Thickness (mm)	0.7	
Weight (kg/m)	0.068	

Dwg NO.	A43	
Thickness (mm)	1.1	
Weight (kg/m)	0.23	

Dwg NO.	A44	
Thickness (mm)	1.1	
Weight (kg/m)	0.087	

Dwg NO.	A47	
Thickness (mm)	1.2	
Weight (kg/m)	0.526	

Dwg NO.	A48	
Thickness (mm)	1.2	
Weight (kg/m)	0.548	

Dwg NO.	A49	
Thickness (mm)	1	
Weight (kg/m)	0.519	

Dwg NO.	A50	
Thickness (mm)	1	
Weight (kg/m)	0.373	

Dwg NO.	A51	
Thickness (mm)	1.2	
Weight (kg/m)	0.687	

Dwg NO.	A52	
Thickness (mm)	1.2	
Weight (kg/m)	0.602	



SHANDONG SAINTY ALUMINIUM LIMITED

ADDRESS;No. 322 Yubei Rd, Dongcheng Industry Park, Linqu, Weifang 262600, China

— SAINTY —

CELL+86 150 5290 5768

Email:info@staluminum.com

www.staluminumprofile.com

Dwg NO.	A53	
Thickness (mm)	1	
Weight (kg/m)	0.598	

Dwg NO.	A54	
Thickness (mm)		
Weight (kg/m)	0.988	

Dwg NO.	A55	
Thickness (mm)	1.4	
Weight (kg/m)	1.039	

Dwg NO.	A56	
Thickness (mm)	1.2	
Weight (kg/m)	0.203	

Dwg NO.	A57	
Thickness (mm)	1.5	
Weight (kg/m)	0.866	

Dwg NO.	A58	
Thickness (mm)	1.5	
Weight (kg/m)	0.768	

Dwg NO.	A59	
Thickness (mm)	1.4	
Weight (kg/m)	0.832	

Dwg NO.	A60	
Thickness (mm)	1.5	
Weight (kg/m)	0.922	

Dwg NO.	A61	
Thickness (mm)	1.5	
Weight (kg/m)	0.696	

Dwg NO.	A62	
Thickness (mm)	1.5	
Weight (kg/m)	1.032	



SHANDONG SAINTY ALUMINIUM LIMITED

ADDRESS;No. 322 Yubei Rd, Dongcheng Industry Park, Linqu, Weifang 262600, China

SAINTY

CELL+86 150 5290 5768

Email:info@staluminum.com

www.staluminumprofile.com

Dwg NO.	A63	
Thickness (mm)	1.5	
Weight (kg/m)	1.022	

Dwg NO.	A64	
Thickness (mm)	1.2	
Weight (kg/m)	1.189	

Dwg NO.	A65	
Thickness (mm)	1.2	
Weight (kg/m)	1.491	

Dwg NO.	A66	
Thickness (mm)	1.4	
Weight (kg/m)	1.071	

Dwg NO.	A67	
Thickness (mm)	1.4	
Weight (kg/m)	0.244	

Dwg NO.	A68	
Thickness (mm)	1.1	
Weight (kg/m)	0.553	

Dwg NO.	A69	
Thickness (mm)	1.5	
Weight (kg/m)	1.259	

Dwg NO.	A70	
Thickness (mm)	1.2	
Weight (kg/m)	0.779	

Dwg NO.	A71	
Thickness (mm)	0.9	
Weight (kg/m)	0.199	

Dwg NO.	A72	
Thickness (mm)	1.4	
Weight (kg/m)	0.821	



SHANDONG SAINTY ALUMINIUM LIMITED

ADDRESS; No. 322 Yubei Rd, Dongcheng Industry Park, Linqu, Weifang 262600, China

— SAINTY —

CELL+86 150 5290 5768

Email: info@staluminum.com

www.staluminumprofile.com

Dwg NO.	A73	
Thickness (mm)	1.2	
Weight (kg/m)	0.78	

Dwg NO.	A74	
Thickness (mm)	1.2	
Weight (kg/m)	0.908	

Dwg NO.	A75	
Thickness (mm)	1.2	
Weight (kg/m)	0.273	

Dwg NO.	A76	
Thickness (mm)	2.5	
Weight (kg/m)	0.434	

Dwg NO.	A77	
Thickness (mm)	1.4	
Weight (kg/m)	1.04	

Dwg NO.	A78	
Thickness (mm)	1.2	
Weight (kg/m)	0.77	

Dwg NO.	A79	
Thickness (mm)	1.2	
Weight (kg/m)	0.57	

Dwg NO.	A80	
Thickness (mm)	0.8	
Weight (kg/m)	0.32	

Dwg NO.	A81	
Thickness (mm)	1.2	
Weight (kg/m)	0.247	

Dwg NO.	A82	
Thickness (mm)	1.8	
Weight (kg/m)	1.71	



SHANDONG SAINTY ALUMINIUM LIMITED

ADDRESS; No. 322 Yubei Rd, Dongcheng Industry Park, Linqu, Weifang 262600, China

— SAINTY —

CELL+86 150 5290 5768

Email: info@staluminum.com

www.staluminumprofile.com

Dwg NO.	A83	
Thickness (mm)	1.2	
Weight (kg/m)	0.22	

Dwg NO.	A84	
Thickness (mm)	1.7	
Weight (kg/m)	0.33	

Dwg NO.	A85	
Thickness (mm)	2.5	
Weight (kg/m)	2.87	

Dwg NO.	A86	
Thickness (mm)	1.2	
Weight (kg/m)	0.33	

Dwg NO.	A87	
Thickness (mm)	3	
Weight (kg/m)	0.58	

Dwg NO.	A88	
Thickness (mm)	1.5	
Weight (kg/m)	0.72	

Dwg NO.	A89	
Thickness (mm)	1	
Weight (kg/m)	0.27	

Dwg NO.	A90	
Thickness (mm)	1	
Weight (kg/m)	0.24	

Dwg NO.	A91	
Thickness (mm)	3	
Weight (kg/m)	1.04	

Dwg NO.	A98	
Thickness (mm)	1.6	
Weight (kg/m)	1.73	



SHANDONG SAINTY ALUMINIUM LIMITED

ADDRESS; No. 322 Yubei Rd, Dongcheng Industry Park, Linqu, Weifang 262600, China

— SAINTY —

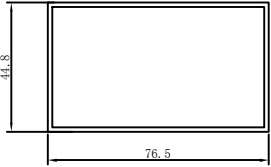
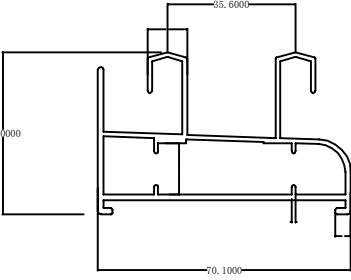
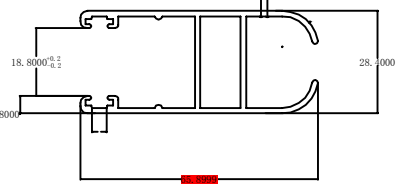
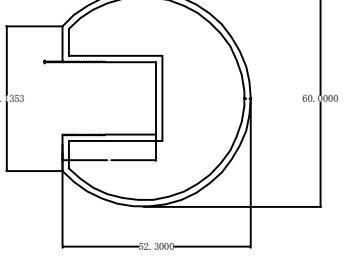
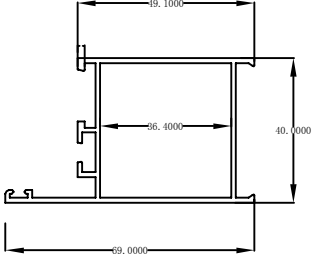
CELL+86 150 5290 5768

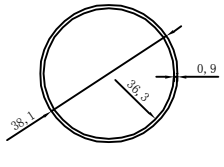
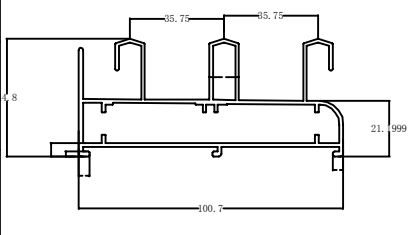
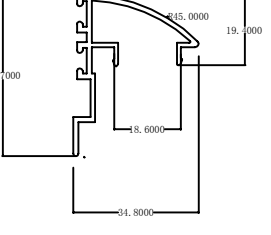
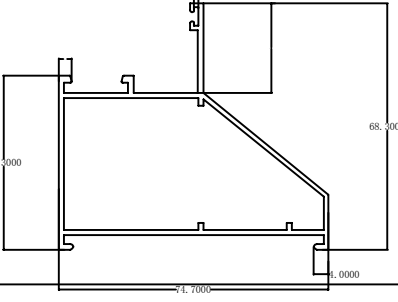
Email: info@staluminum.com

www.staluminumprofile.com

Dwg NO.	A99	
Thickness (mm)	1.4	
Weight (kg/m)	0.11	
Dwg NO.	A101	
Thickness (mm)	1.3	
Weight (kg/m)	0.79	
Dwg NO.	A103	
Thickness (mm)	1.3	
Weight (kg/m)	0.98	
Dwg NO.	A105	
Thickness (mm)	1.3	
Weight (kg/m)	0.219	
Dwg NO.	A107	
Thickness (mm)	4.8	
Weight (kg/m)	1.57	

Dwg NO.	A100	
Thickness (mm)	1.2	
Weight (kg/m)	0.56	
Dwg NO.	A102	
Thickness (mm)	1.2	
Weight (kg/m)	0.69	
Dwg NO.	A104	
Thickness (mm)	1.3	
Weight (kg/m)	0.17	
Dwg NO.	A106	
Thickness (mm)	1.3	
Weight (kg/m)	0.086	
Dwg NO.	A108	
Thickness (mm)	0.9	
Weight (kg/m)	0.21	

Dwg NO.	A109	
Thickness (mm)	1.5	
Weight (kg/m)	0.96	
Dwg NO.	A111	
Thickness (mm)	1.5	
Weight (kg/m)	1.13	
Dwg NO.	A113	
Thickness (mm)	1.5	
Weight (kg/m)	0.837	
Dwg NO.	A115	
Thickness (mm)	1.8	
Weight (kg/m)	1.11	
Dwg NO.	A117	
Thickness (mm)	1.3	
Weight (kg/m)	0.77	

Dwg NO.	A110	
Thickness (mm)	0.9	
Weight (kg/m)	0.28	
Dwg NO.	A112	
Thickness (mm)	1.5	
Weight (kg/m)	1.64	
Dwg NO.	A114	
Thickness (mm)	1.4	
Weight (kg/m)	0.46	
Dwg NO.	A116	
Thickness (mm)	1.3	
Weight (kg/m)	0.97	
Dwg NO.		
Thickness (mm)		
Weight (kg/m)		