



SHANDONG SAINTY ALUMINIUM LIMITED

ADDRESS; No. 322 Yubei Rd, Dongcheng Industry Park, Linqu, Weifang 262600, China

— SAINTY —

CELL+86 150 5290 5768

Email: info@staluminum.com

www.staluminumprofile.com

Dwg NO.	XD-01	
Thickness (mm)	1.0	
Weight (kg/m)	0.495	

Dwg NO.	XD-06	
Thickness (mm)	1.0	
Weight (kg/m)	1.116	

Dwg NO.	XD-02	
Thickness (mm)	1.0	
Weight (kg/m)	0.444	

Dwg NO.	XD-07	
Thickness (mm)	1.0	
Weight (kg/m)	0.351	

Dwg NO.	XD-03	
Thickness (mm)	1.0	
Weight (kg/m)	0.762	

Dwg NO.	XD-08	
Thickness (mm)	1.0	
Weight (kg/m)	0.43	

Dwg NO.	XD-04	
Thickness (mm)	1.0	
Weight (kg/m)	0.657	

Dwg NO.	XD-09	
Thickness (mm)	1.0	
Weight (kg/m)	0.621	

Dwg NO.	XD-05	
Thickness (mm)	1.0	
Weight (kg/m)	0.912	

Dwg NO.	XD-10	
Thickness (mm)	1.0	
Weight (kg/m)	0.401	



SHANDONG SAINTY ALUMINIUM LIMITED

ADDRESS; No. 322 Yubei Rd, Dongcheng Industry Park, Linqu, Weifang 262600, China

— SAINTY —

CELL+86 150 5290 5768

Email: info@staluminum.com

www.staluminumprofile.com

Dwg NO.	XD-11	
Thickness (mm)	1.0	
Weight (kg/m)	0.366	

Dwg NO.	XD-16	
Thickness (mm)	1.3	
Weight (kg/m)	1.102	

Dwg NO.	XD-12	
Thickness (mm)	1.0	
Weight (kg/m)	0.303	

Dwg NO.	XD-17	
Thickness (mm)	1.6	
Weight (kg/m)	0.399	

Dwg NO.	XD-13	
Thickness (mm)	1.3	
Weight (kg/m)	1.216	

Dwg NO.	XD-18	
Thickness (mm)	0.9	
Weight (kg/m)	0.363	

Dwg NO.	XD-14	
Thickness (mm)	1.3	
Weight (kg/m)	0.95	

Dwg NO.	XD-19	
Thickness (mm)	1.05	
Weight (kg/m)	0.638	

Dwg NO.	XD-15	
Thickness (mm)	1.3	
Weight (kg/m)	1.042	

Dwg NO.	XD-20	
Thickness (mm)	0.8	
Weight (kg/m)	0.317	



SHANDONG SAINTY ALUMINIUM LIMITED

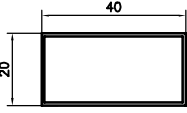
ADDRESS; No. 322 Yubei Rd, Dongcheng Industry Park, Linqu, Weifang 262600, China

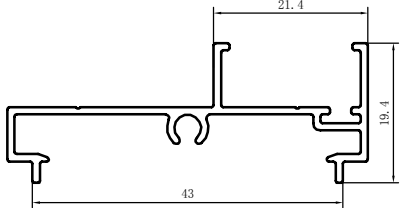
— SAINTY —

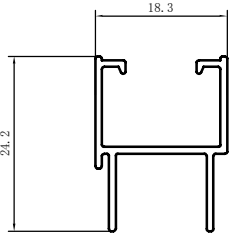
CELL+86 150 5290 5768

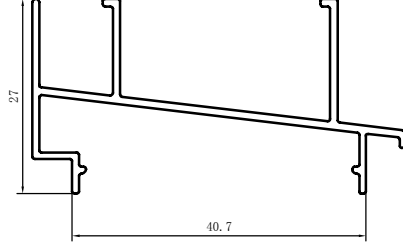
Email: info@staluminum.com

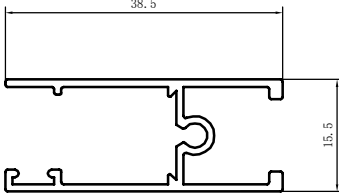
www.staluminumprofile.com

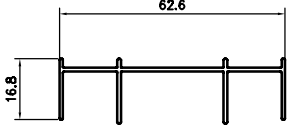
Dwg NO.	XD-21	
Thickness (mm)	0.85	
Weight (kg/m)	0.238	

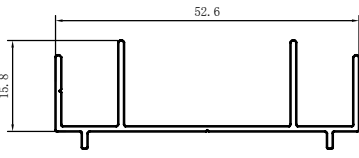
Dwg NO.	XD-26	
Thickness (mm)	0.9	
Weight (kg/m)	0.242	

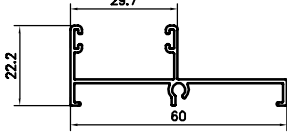
Dwg NO.	XD-22	
Thickness (mm)	0.9	
Weight (kg/m)	0.181	

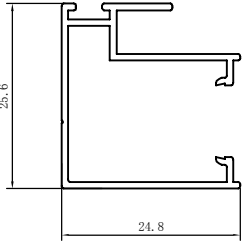
Dwg NO.	XD-27	
Thickness (mm)	0.9	
Weight (kg/m)	0.351	

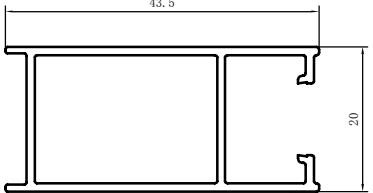
Dwg NO.	XD-23	
Thickness (mm)	1.0	
Weight (kg/m)	0.309	

Dwg NO.	XD-28	
Thickness (mm)	1.0	
Weight (kg/m)	0.345	

Dwg NO.	XD-24	
Thickness (mm)	0.9	
Weight (kg/m)	0.274	

Dwg NO.	XD-29	
Thickness (mm)	1.0	
Weight (kg/m)	0.352	

Dwg NO.	XD-25	
Thickness (mm)	0.8	
Weight (kg/m)	0.215	

Dwg NO.	XD-30	
Thickness (mm)	1.0	
Weight (kg/m)	0.354	



SHANDONG SAINTY ALUMINIUM LIMITED

ADDRESS; No. 322 Yubei Rd, Dongcheng Industry Park, Linqu, Weifang 262600, China

— SAINTY —

CELL+86 150 5290 5768

Email: info@staluminum.com

www.staluminumprofile.com

Dwg NO.	XD-31	
Thickness (mm)	0.9	
Weight (kg/m)	0.245	

Dwg NO.	XD-36	
Thickness (mm)	1.0	
Weight (kg/m)	0.342	

Dwg NO.	XD-32	
Thickness (mm)	0.9	
Weight (kg/m)	0.346	

Dwg NO.	XD-37	
Thickness (mm)	0.9	
Weight (kg/m)	0.418	

Dwg NO.	XD-33	
Thickness (mm)	0.9	
Weight (kg/m)	0.345	

Dwg NO.	XD-38	
Thickness (mm)	1.0	
Weight (kg/m)	0.444	

Dwg NO.	XD-34	
Thickness (mm)	1.0	
Weight (kg/m)	0.346	

Dwg NO.	XD-39	
Thickness (mm)	1.0	
Weight (kg/m)	0.555	

Dwg NO.	XD-35	
Thickness (mm)	1.0	
Weight (kg/m)	0.274	

Dwg NO.	XD-40	
Thickness (mm)	1.2	
Weight (kg/m)	0.662	



SHANDONG SAINTY ALUMINIUM LIMITED

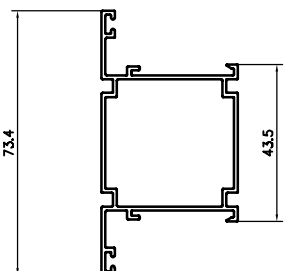
ADDRESS;No. 322 Yubei Rd, Dongcheng Industry Park, Linqu, Weifang 262600, China

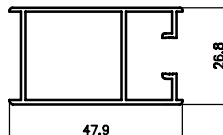
— SAINTY —

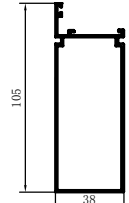
CELL+86 150 5290 5768

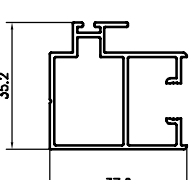
Email:info@staluminum.com

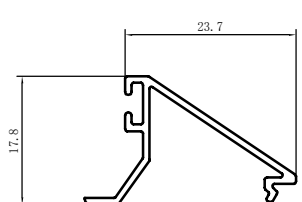
www.staluminumprofile.com

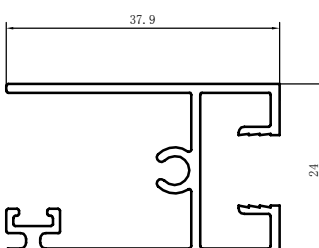
Dwg NO.	XD-41	
Thickness (mm)	1.1	
Weight (kg/m)	0.685	

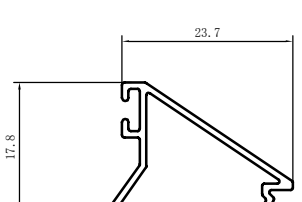
Dwg NO.	XD-46	
Thickness (mm)	1.2	
Weight (kg/m)	0.533	

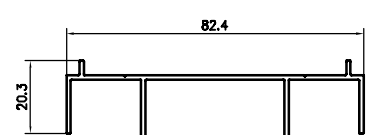
Dwg NO.	XD-42	
Thickness (mm)	1.2	
Weight (kg/m)	0.925	

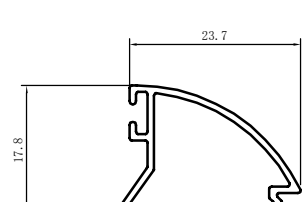
Dwg NO.	XD-47	
Thickness (mm)	1.2	
Weight (kg/m)	0.555	

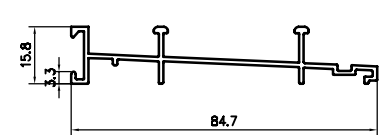
Dwg NO.	XD-43	
Thickness (mm)	0.9	
Weight (kg/m)	0.152	

Dwg NO.	XD-48	
Thickness (mm)	1.2	
Weight (kg/m)	0.465	

Dwg NO.	XD-44	
Thickness (mm)	0.9	
Weight (kg/m)	0.152	

Dwg NO.	XD-49	
Thickness (mm)	1.2	
Weight (kg/m)	0.515	

Dwg NO.	XD-45	
Thickness (mm)	0.9	
Weight (kg/m)	0.153	

Dwg NO.	XD-50	
Thickness (mm)	1.2	
Weight (kg/m)	0.515	



SHANDONG SAINTY ALUMINIUM LIMITED

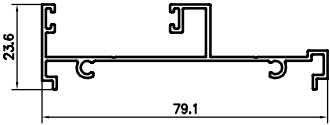
ADDRESS;No. 322 Yubei Rd, Dongcheng Industry Park,Linqu, Weifang 262600, China

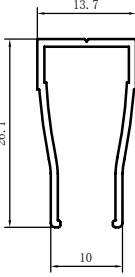
— SAINTY —

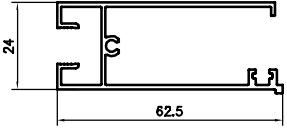
CELL+86 150 5290 5768

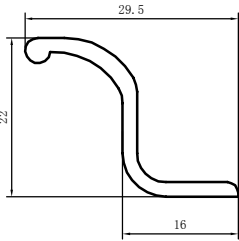
Email:info@staluminum.com

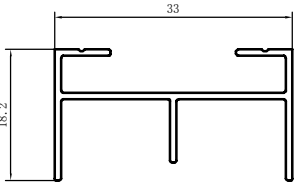
www.staluminumprofile.com

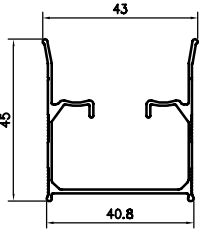
Dwg NO.	XD-51	
Thickness (mm)	1.1	
Weight (kg/m)	0.529	

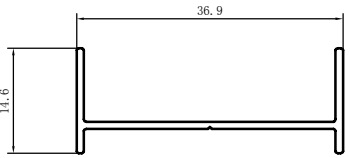
Dwg NO.	XD-56	
Thickness (mm)	0.9	
Weight (kg/m)	0.145	

Dwg NO.	XD-52	
Thickness (mm)	1.1	
Weight (kg/m)	0.578	

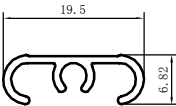
Dwg NO.	XD-57	
Thickness (mm)	2.0	
Weight (kg/m)	0.256	

Dwg NO.	XD-53	
Thickness (mm)	0.85	
Weight (kg/m)	0.206	

Dwg NO.	XD-58	
Thickness (mm)	1.0	
Weight (kg/m)	0.473	

Dwg NO.	XD-54	
Thickness (mm)	0.9	
Weight (kg/m)	0.157	

Dwg NO.		
Thickness (mm)		
Weight (kg/m)		

Dwg NO.	XD-55	
Thickness (mm)	1.1	
Weight (kg/m)	0.111	

Dwg NO.		
Thickness (mm)		
Weight (kg/m)		